



PARTS CATALOGUE

YZF155 (B2S1) MALAYSIA



1TB2S-440E1

()

YZF155
PARTS CATALOGUE
©2018 by Yamaha Motor Co., Ltd.
1st edition, April 2018
All rights reserved.
Any reprinting or unauthorized use
without the written permission of
Yamaha Motor Co., Ltd.
is expressly prohibited.
Printed in Japan.

FOREWORD

This Parts Catalogue is related to the parts for the model(s) on the cover page. When you are ordering replacement parts, please refer to this Parts Catalogue and quote both part numbers and part names correctly.

1. Modifications or additions which have been made after the issue of the Parts Catalogue will be announced in the Parts News.
It is advisable that you make the necessary corrections to the Parts Catalogue according to the Parts News.

2. Abbreviations

The following abbreviations are used in this Parts Catalogue.

“UR” Use specified parts number.

“UN” Use as many as needed.

“AP” Alternate Parts

“LM” Locally Made (Parts need to be ordered locally)

“F#” Frame No. (Applicable machine No.)

“O/S” Over Size

3. The number of components for assembly

- Parts, which are to be supplied in an assembly, are listed with a dot (.) in front of the part name as shown below.
- The numeral appearing to the right of each component part indicates the quantity of parts for each assembly unit.

PART NO.	DESCRIPTION	Q'TY	REMARKS
2F5-83310-60	FRONT FLASHER LIGHT ASSY	2	
115-83311-60	.BULB (6V-18W)	1	

4. Applicable colours of graphics are represented in the “REMARKS” as shown below.

PART NO.	DESCRIPTION	Q'TY	REMARKS
2N4-24110-00-X5	FUEL TANK COMP.	2	MXR
3J1-24240-10	.GRAPHIC, FUEL TANK	1	FOR MXR

5. Note that the illustrations for reference in finding parts numbers are not to be used for assembling. When assembling, please use the applicable service manual.

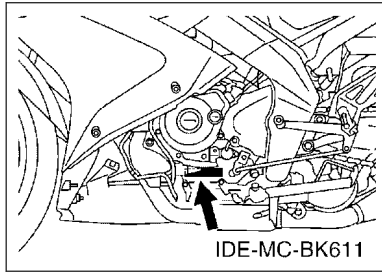
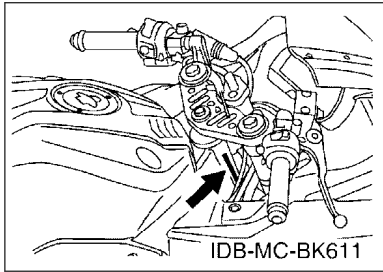
6. The asterisk (*) before a reference number indicates modified items after the first edition.

FOREWORD

7. Applicable Serial No.

Frame Serial No.

Engine Serial No.



8. Applicable Colour Code (The (*) mark shows Model colour.)

Abbreviation	Colour Name	Colour Code
DPBM15	DEEP PURPLISH BLUE METALLIC 15	1329
DPBMC(*)	DEEP PURPLISH BLUE METALLIC C	0564
MBL2	MAT BLACK 2	0582
SMX(*)	BLACK METALLIC X	0903
YM6(*)	YELLOW METALLIC 6	1440

9. Applicable Starting Serial No.

Frame Serial No.

Serial No.	Name Of Q'ty Column	Model Code

Engine Serial No.

Serial No.	Name Of Q'ty Column	Model Code

CONTENTS

ENGINE

CYLINDER HEAD.....	1
CRANKSHAFT & PISTON.....	2
VALVE.....	4
CAMSHAFT & CHAIN.....	5
WATER PUMP.....	6
RADIATOR & HOSE.....	7
OIL PUMP.....	8
INTAKE.....	9
EXHAUST.....	11
CRANKCASE.....	12
CRANKCASE COVER 1.....	13
STARTER CLUTCH.....	14
CLUTCH.....	15
TRANSMISSION.....	17
SHIFT CAM & FORK.....	19
SHIFT SHAFT.....	20

CHASSIS

FRAME.....	21
FENDER.....	22
SIDE COVER.....	24
REAR ARM & SUSPENSION.....	26
STEERING.....	27
FRONT FORK.....	28
FUEL TANK.....	30
SEAT.....	32
FRONT WHEEL.....	33
FRONT BRAKE CALIPER.....	34
REAR WHEEL.....	35
REAR BRAKE CALIPER.....	36
STEERING HANDLE & CABLE.....	37
FRONT MASTER CYLINDER.....	38
STAND & FOOTREST.....	39
REAR MASTER CYLINDER.....	41
LEG SHIELD.....	42
WINDSHIELD.....	44
GENERATOR.....	47
STARTING MOTOR.....	48
FLASHER LIGHT.....	49

METER.....	51
HEADLIGHT.....	52
TAILLIGHT.....	53
HANDLE SWITCH & LEVER.....	54
ELECTRICAL 1.....	55
ELECTRICAL 2.....	56

INDEX

NUMERICAL INDEX.....	58
----------------------	----

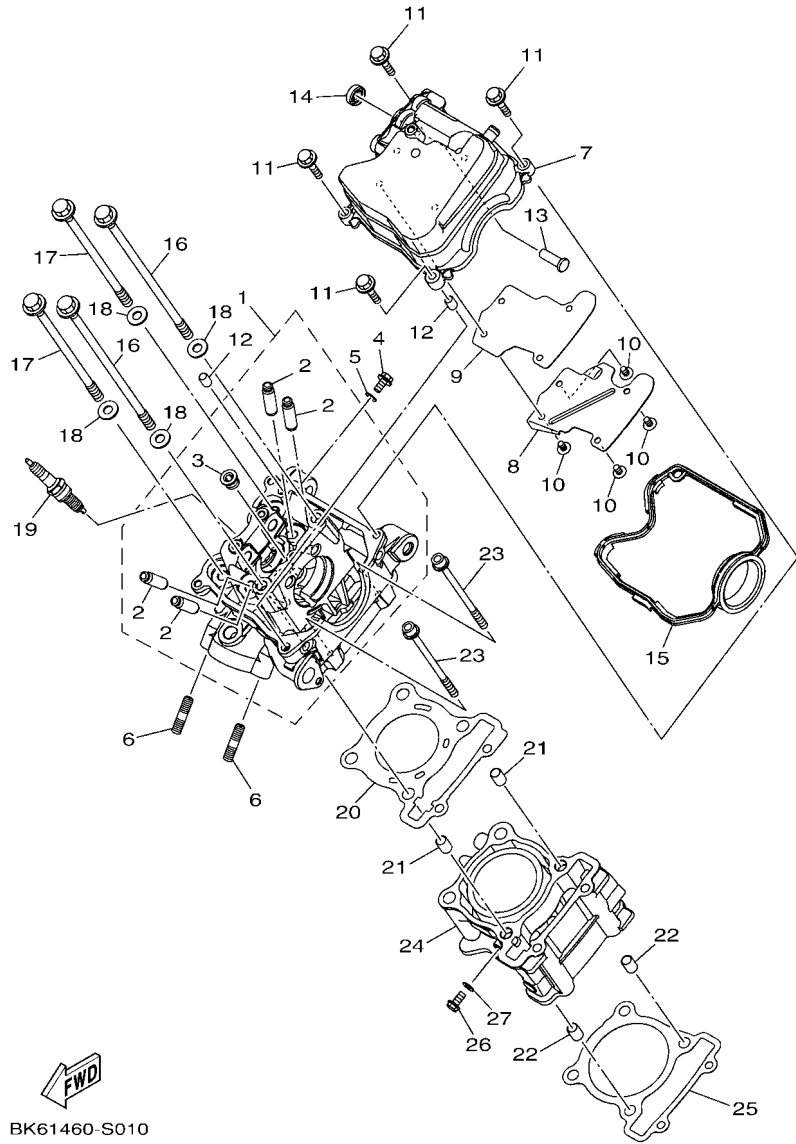
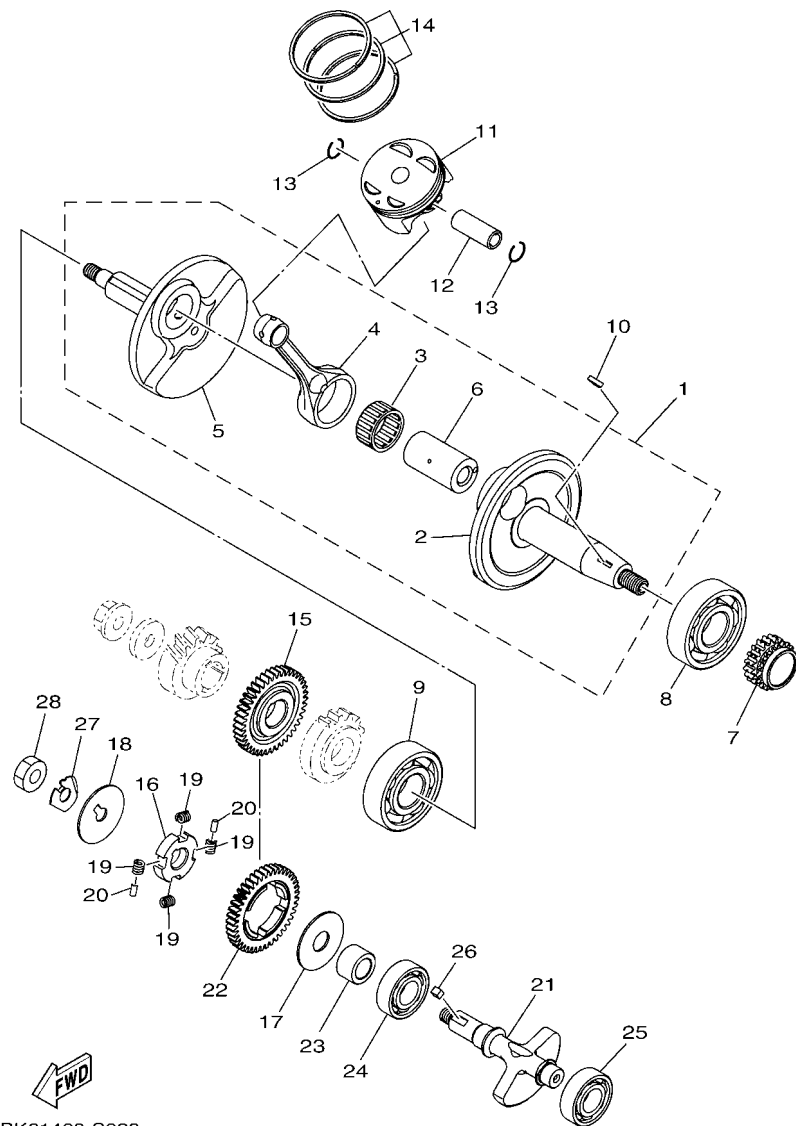


FIG. 1 CYLINDER HEAD

REF. NO.	PART NO.	DESCRIPTION	B2S1				REMARKS
1	BK6-E1102-00	CYLINDER HEAD ASSY	1				
2	2DP-E1133-10	.GUIDE, VALVE 1	4				
3	90340-12813	.PLUG, STRAIGHT SCREW	1				
4	95022-06010	BOLT, FLANGE	1				
5	90430-06014	GASKET	1				
6	95612-08618	BOLT, STUD	2				
7	BK6-E1191-00	COVER, CYLINDER HEAD 1	1				
8	BK6-E1165-00	PLATE, BREATHER	1				
9	BK6-E1169-00	GASKET, BREATHER COVER	1				
10	90149-05801	SCREW	4				
11	95022-06030	BOLT, FLANGE	4				
12	99530-08012	PIN, DOWEL	2				
13	BK6-E132G-00	ROD 1	1				
14	93102-08800	OIL SEAL	1				
15	BB8-E1193-00	GASKET, HEAD COVER 1	1				
16	BK6-E1361-00	BOLT, CYLINDER HOLDING 1	2				
17	BK6-E1362-00	BOLT, CYLINDER HOLDING 2	2				
18	90201-08859	WASHER, PLATE	4				
19	94700-00439	PLUG, SPARK (NGK MR8E-9)	1				
20	2DP-E1181-00	GASKET, CYLINDER HEAD 1	1				
21	91810-14809	PIN, DOWEL	2				
22	91810-14809	PIN, DOWEL	2				
23	90110-06378	BOLT, HEXAGON SOCKET HEAD	2				
24	2DP-E1311-10	CYLINDER 1	1				
25	BK6-E1351-00	GASKET, CYLINDER	1				
26	95022-06010	BOLT, FLANGE	1				
27	90430-06014	GASKET	1				

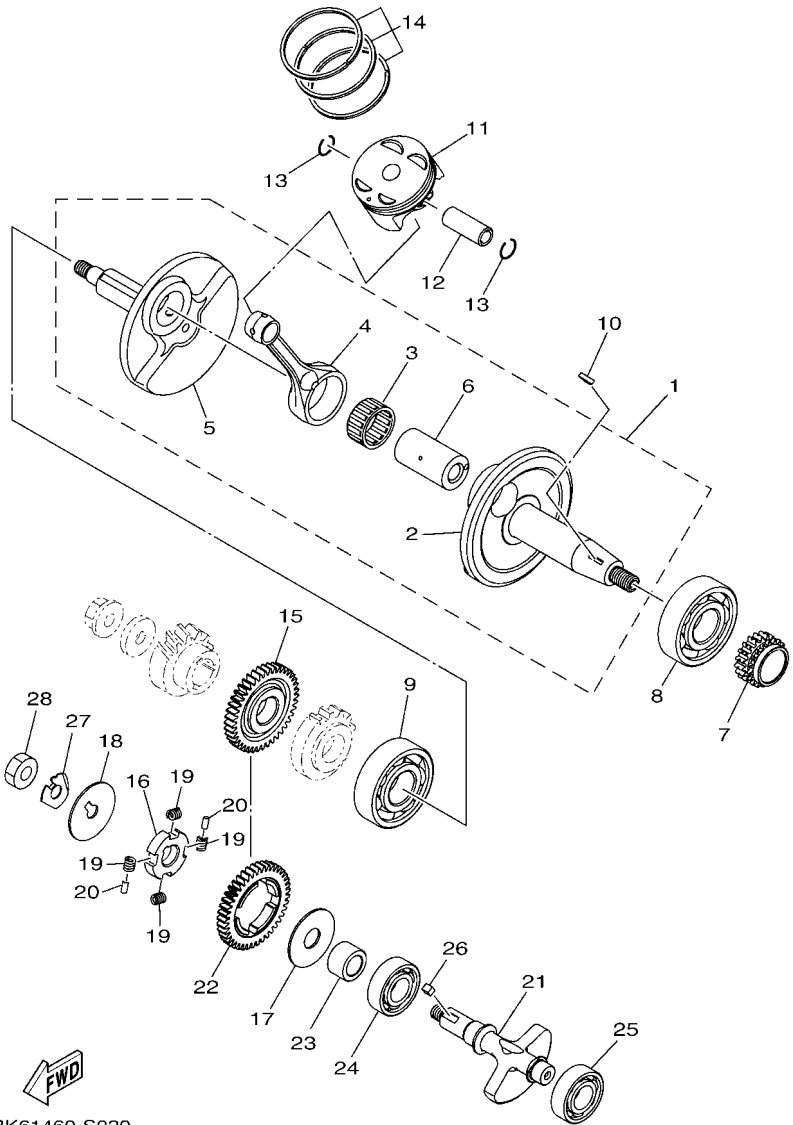
FIG. 2 CRANKSHAFT & PISTON



BK61460-S020

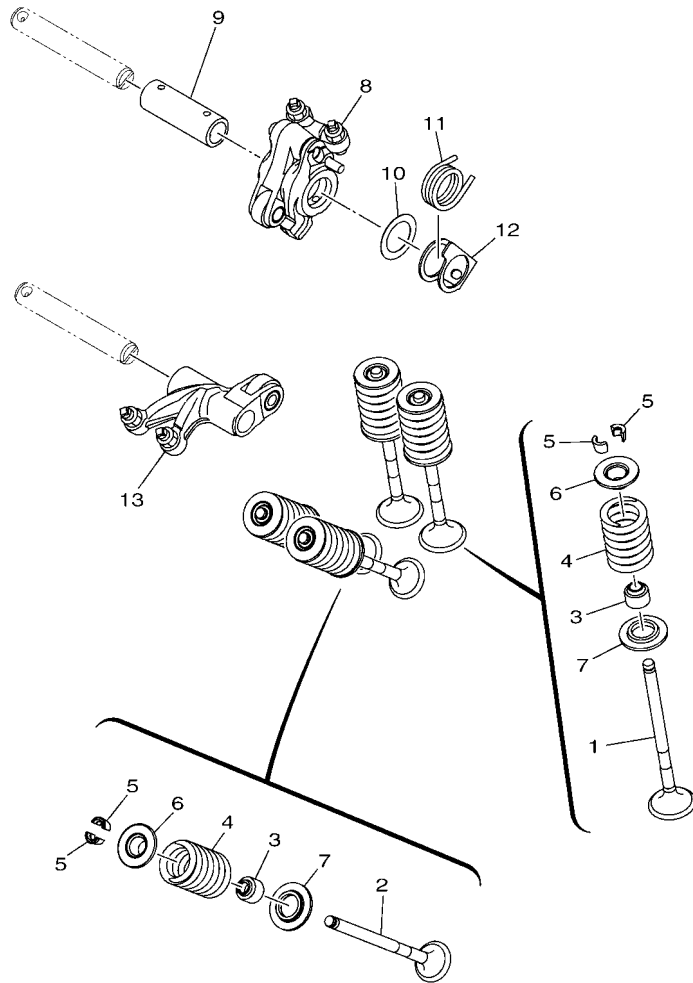
REF. NO.	PART NO.	DESCRIPTION	B2S1				REMARKS
1	BK6-E1400-00	CRANKSHAFT ASSY	1				
2	BK6-E1412-00	.CRANK 1	1				
3	93310-526YT	.BEARING	1				
4	BK6-E1651-00	.ROD, CONNECTING	1				
5	BK6-E1422-00	.CRANK 2	1				
6	BK6-E1681-00	.PIN, CRANK 1	1				
7	BK6-E1549-00	SPROCKET, CAM CHAIN	1				
8	93306-305X7	BEARING	1				
9	93306-305XV	BEARING	1				
10	90280-03017	KEY, WOODRUFF	1				
11	BK6-E1631-00	PISTON (STD)	1				
12	2DP-E1633-00	PIN, PISTON	1				
13	93450-16115	CIRCLIP	2				
14	BK6-E1603-00	PISTON RING SET (STD)	1				
15	BK6-E1536-00	GEAR, DRIVE	1				
16	21C-E1496-20	BOSS, BUFFER	1				
17	90201-15821	WASHER, PLATE	1				
18	90214-10800	WASHER, CLAW	1				
19	90501-16800	SPRING, COMPRESSION	4				
20	93604-08800	PIN, DOWEL	2				
21	BK7-E1454-00	WEIGHT 1	1				
22	BK6-E1531-00	GEAR, BALANCE WEIGHT	1				
23	90387-15810	COLLAR	1				
24	93306-203XK	BEARING	1				
25	93306-203XK	BEARING	1				
26	90282-05031	KEY, STRAIGHT	1				
27	90215-10803	WASHER, LOCK	1				

FIG. 2 CRANKSHAFT & PISTON



BK61460-S020

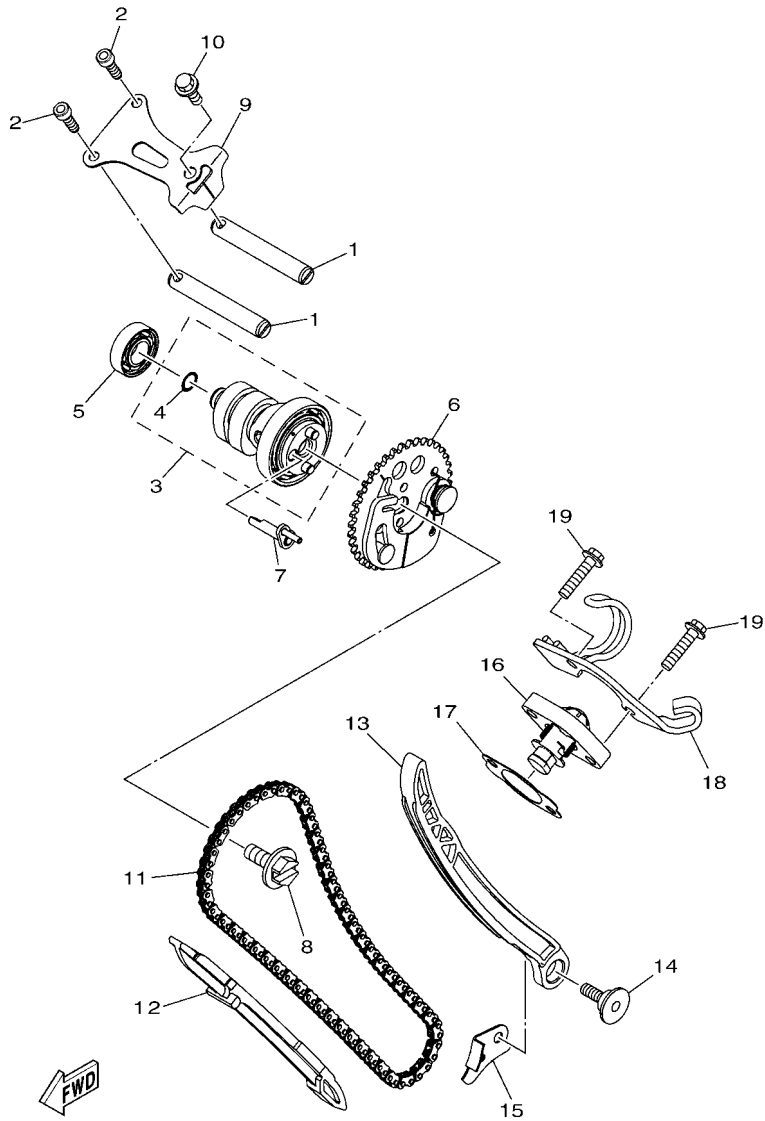
REF. NO.	PART NO.	DESCRIPTION	B2S1	REMARKS
28	90170-10012	NUT	1	



BK62460-S030

FIG. 3 VALVE

REF. NO.	PART NO.	DESCRIPTION	B2S1				REMARKS
1	BK6-E2111-00	VALVE, INTAKE	2				
2	BK6-E2121-00	VALVE, EXHAUST	2				
3	54P-E2119-00	SEAL, VALVE STEM	4				
4	B63-E2113-00	SPRING, VALVE INNER	4				
5	5TL-E2118-00	LOCK, VALVE SPRING RETAINER	8				
6	2DP-E2117-00	RETAINER, VALVE SPRING	4				
7	50C-E2126-00	SEAT, VALVE SPRING 2	4				
8	BK6-E2150-00	VALVE ROCKER ARM ASSY	1				
9	BK6-E2166-00	SHAFT, ROCKER 3	1				
10	BK6-E1557-00	WASHER 1	1				
11	BK6-E2226-00	SPRING, COIL	1				
12	BK6-E2279-00	PLATE	1				
13	BK6-E2160-00	VALVE ROCKER ARM ASSY 2	1				

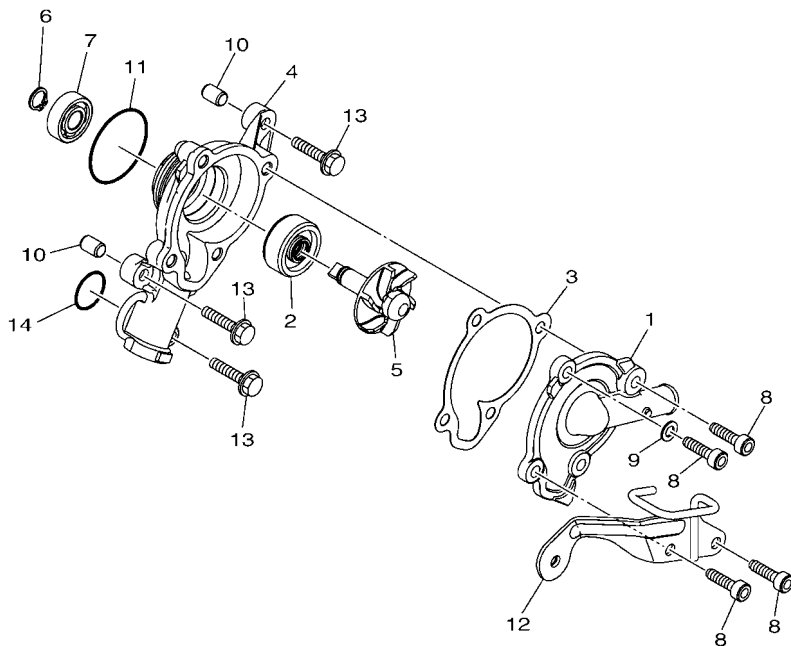


BK61460-S040

FIG. 4 CAMSHAFT & CHAIN

REF. NO.	PART NO.	DESCRIPTION	B2S1				REMARKS
1	21C-E2156-00	SHAFT, ROCKER 2	2				
2	91312-05016	BOLT, HEXAGON SOCKET HEAD	2				
3	BK6-E2170-00	CAMSHAFT ASSY 1	1				
4	93210-09806	.O-RING	1				
5	93306-001YJ	BEARING	1				
6	BK6-E2280-00	DECOMPRESSION ASSY	1				
7	BK6-E2288-00	CAM, DECOMPRESSION	1				
8	5YP-E2157-00	BOLT	1				
9	2DP-E111F-00	PLATE	1				
10	95022-06014	BOLT, FLANGE	1				
11	94568-J9096	CHAIN	1				
12	B65-E2231-00	GUIDE, STOPPER 1	1				
13	BK6-E2241-00	GUIDE, STOPPER 2	1				
14	54P-E2228-00	BOLT	1				
15	BK6-E2256-00	COVER, CHAIN	1				
16	2ND-E2210-20	TENSIONER ASSY, CAM CHAIN	1				
17	BK6-E2213-00	GASKET, TENSIONER CASE	1				
18	BK6-E5441-00	HOLDER, CLUTCH CABLE	1				
19	95022-06025	BOLT, FLANGE	2				

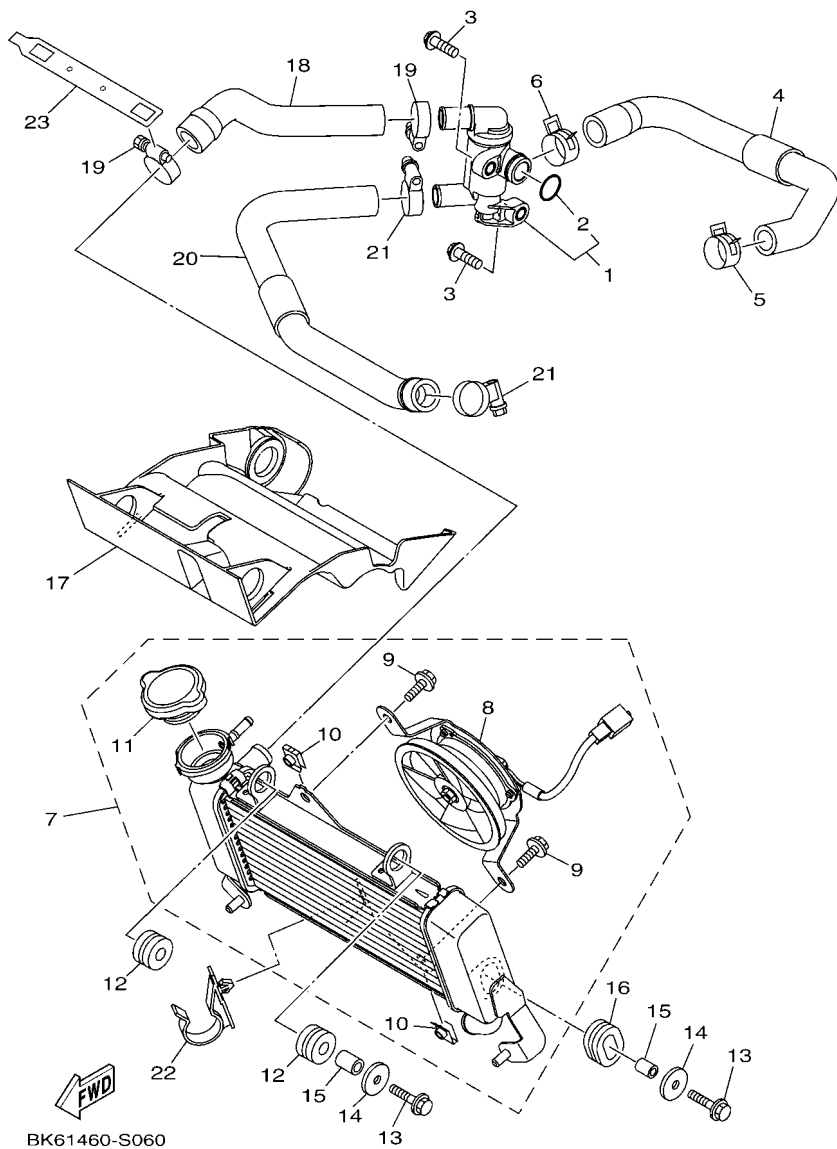
FIG. 5 WATER PUMP



REF. NO.	PART NO.	DESCRIPTION	B2S1				REMARKS
1	BK7-E2422-00	COVER, HOUSING	1				
2	93103-10801	OIL SEAL	1				
3	2DP-E2428-00	GASKET, HOUSING COVER 2	1				
4	BK7-E1185-00	COVER, CYLINDER HEAD SIDE 3	1				
5	BK7-E2450-00	IMPELLER SHAFT ASSY	1				
6	99009-10400	CIRCLIP	1				
7	93306-000Y3	BEARING	1				
8	91312-06020	BOLT, HEXAGON SOCKET HEAD	4				
9	90430-06014	GASKET	1				
10	99530-08012	PIN, DOWEL	2				
11	93210-39803	O-RING	1				
12	BK7-E2443-00	STAY	1				
13	95022-06025	BOLT, FLANGE	3				
14	93210-19809	O-RING	1				


BK61460-S050

FIG. 6 RADIATOR & HOSE



REF. NO.	PART NO.	DESCRIPTION	B2S1				REMARKS
1	BK6-E2410-00	THERMOSTAT ASSY	1				
2	52S-12439-00	.O-RING	1				
3	95022-06020	BOLT, FLANGE	2				
4	BK6-E2483-00	PIPE 3	1				
5	90467-19803	CLIP	1				
6	90467-20806	CLIP	1				
7	BK6-E2460-00	RADIATOR ASSY	1				
8	BK6-E2405-00	.BLOWER ASSY	1				
9	5YP-E2675-00	.BOLT, BLOWER HOLDING	2				
10	5YP-E2671-00	.NUT 1	2				
11	5P0-E2590-00	.CONDUCTION ASSY	1				
12	90480-15363	GROMMET	2				
13	95D32-06025	BOLT, FLANGE DEEP RECESS	2				
14	90201-06880	WASHER, PLATE	2				
15	90387-064W3	COLLAR	2				
16	90480-01803	GROMMET	1				
17	BK6-E2467-00	COVER, RADIATOR	1				
18	BK6-E2481-00	PIPE 1	1				
19	90450-27806	HOSE CLAMP ASSY	2				
20	BK6-E2482-00	PIPE 2	1				
21	90450-27806	HOSE CLAMP ASSY	2				
22	3C1-F1338-00	CLAMP	1				
23	BK6-E246E-00	COVER 2	1				

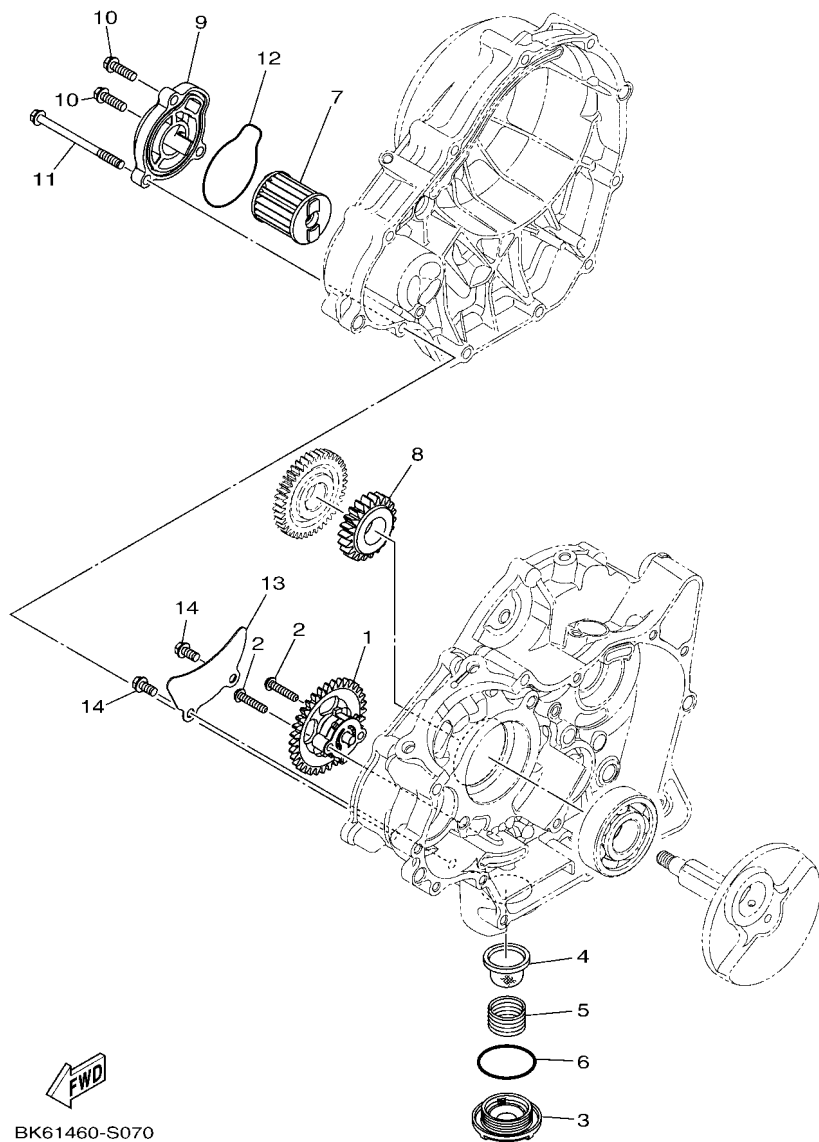


FIG. 7 OIL PUMP

REF. NO.	PART NO.	DESCRIPTION	B2S1	REMARKS
1	BK6-E3300-00	OIL PUMP ASSY	1	
2	90111-05808	BOLT,HEX. SOCKET BUTTON	2	
3	1S7-E5351-00	PLUG, DRAIN	1	
4	38B-E3411-00	STRAINER, OIL	1	
5	90501-18576	SPRING, COMPRESSION	1	
6	93210-34802	O-RING	1	
7	38B-E3440-00	ELEMENT ASSY, OIL CLEANER	1	
8	2PV-E3324-00	GEAR, PUMP DRIVE	1	
9	2PK-E3447-00	COVER, OIL ELEMENT	1	
10	95022-06020	BOLT, FLANGE	2	
11	95022-06080	BOLT, FLANGE	1	
12	93210-54805	O-RING	1	
13	3C1-E3327-00	COVER, PUMP GEAR	1	
14	95022-06012	BOLT, FLANGE	2	

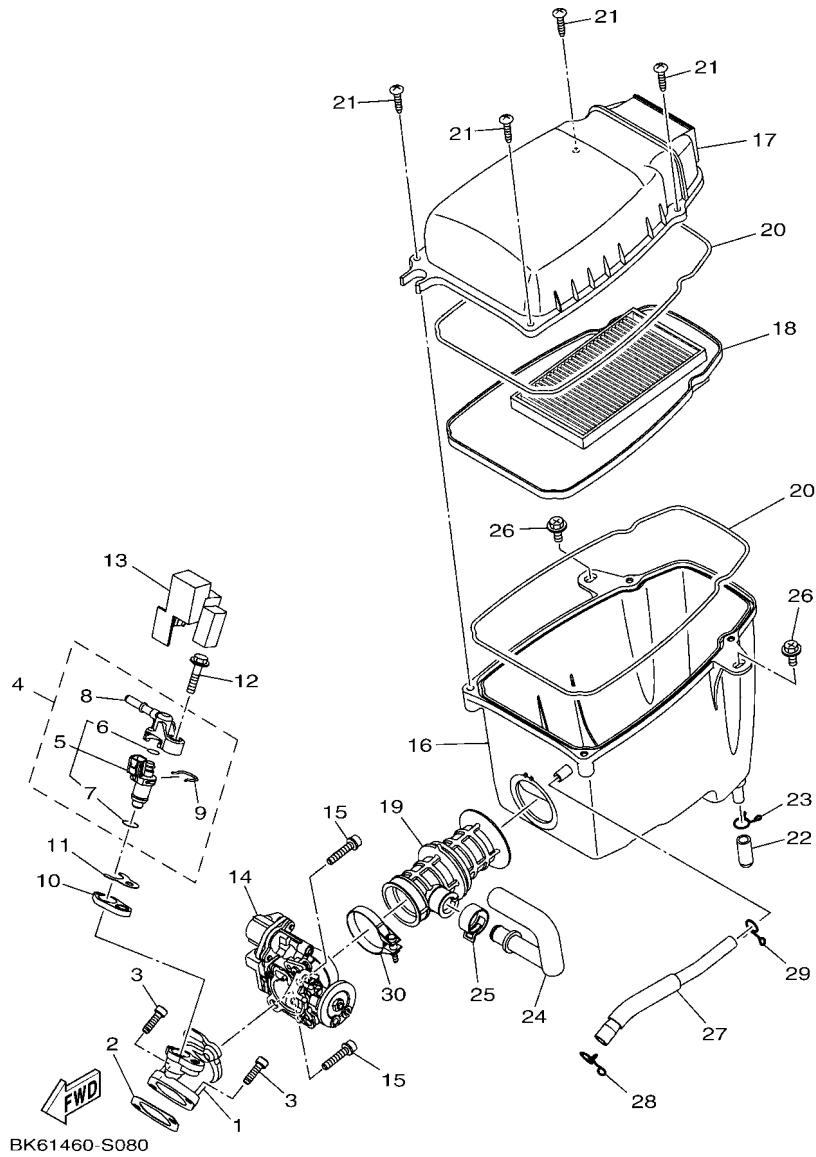


FIG. 8 INTAKE

REF. NO.	PART NO.	DESCRIPTION	B2S1				REMARKS
1	BK6-E3585-00	MANIFOLD	1				
2	BK6-E4199-00	GASKET	1				
3	91312-06020	BOLT, HEXAGON SOCKET HEAD	2				
4	BK6-E3770-00	INJECTOR ASSY	1				
5	BK6-E3761-00	.INJECTOR	1				
6	54P-E4147-00	.O-RING	1				
7	5CA-E4147-00	.O-RING	1				
8	54P-E3938-00	.PIPE	1				
9	54P-E4137-00	.CLIP	1				
10	2FB-E3556-00	GASKET, MANIFOLD	1				
11	BK6-E3557-00	GASKET	1				
12	95812-06030	BOLT, FLANGE	1				
13	BK6-E3767-00	CAP, INJECTOR	1				
14	BK6-E3750-00	THROTTLE BODY ASSY	1				
15	90110-06846	BOLT, HEXAGON SOCKET HEAD	2				
16	BK6-E4411-00	CASE, AIR CLEANER 1	1				
17	BK6-E4412-00	CAP, CLEANER CASE 1	1				
18	BK6-E4450-00	ELEMENT ASSY, AIR CLEANER	1				
19	BK6-E4453-00	JOINT, AIR CLEANER 1	1				
20	BK6-E4452-00	SEAL	2				
21	97707-50025	SCREW, TAPPING	4				
22	5TL-E443E-00	PIPE, DRAIN	1				
23	90467-12800	CLIP	1				
24	BK6-E441J-00	PIPE, SILENCER	1				
25	90467-20804	CLIP	1				
26	90119-06051	BOLT, WITH WASHER	2				
27	BK7-E1166-00	PIPE, BREATHER 1	1				

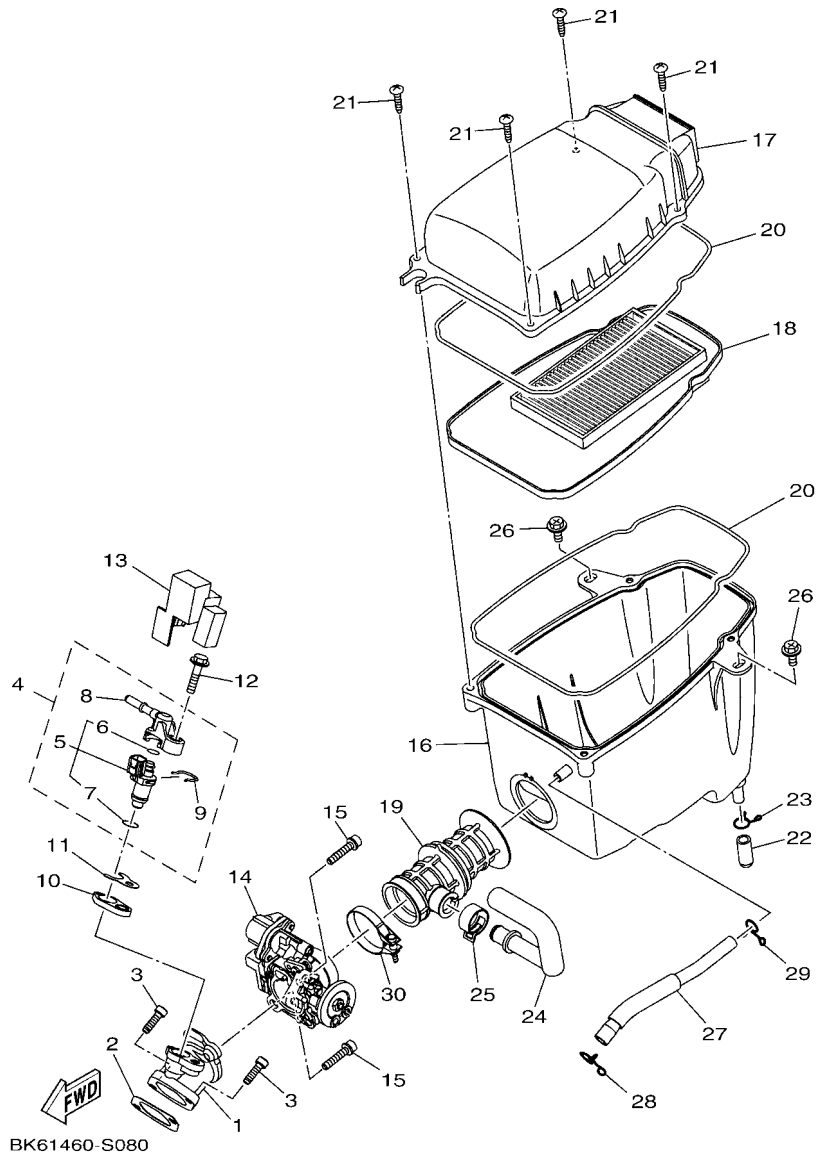
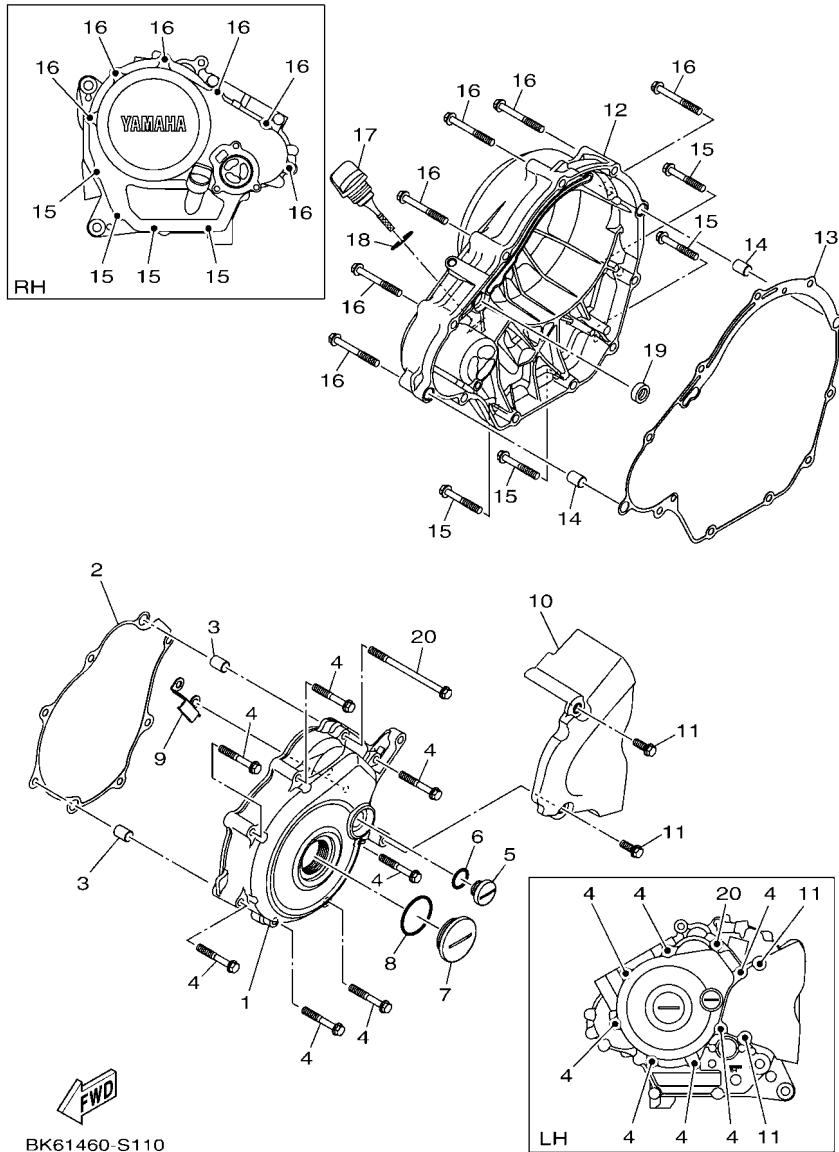


FIG. 8 INTAKE

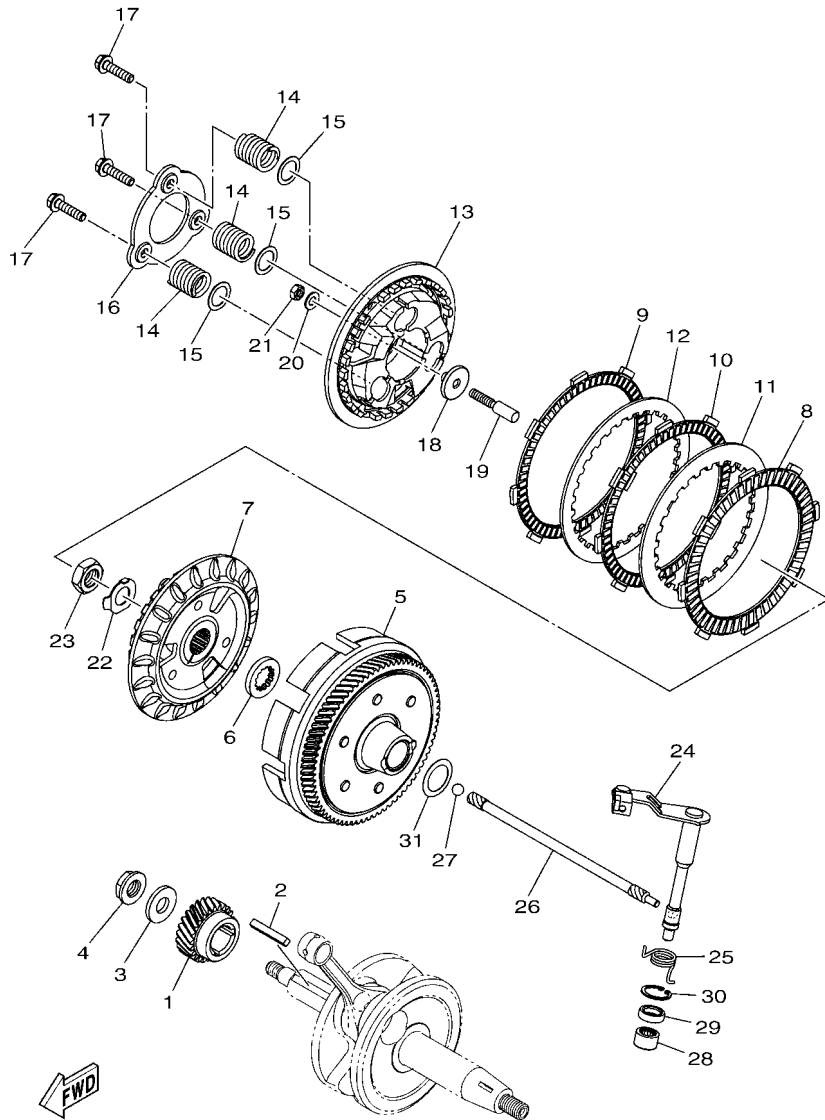
REF. NO.	PART NO.	DESCRIPTION	B2S1				REMARKS
28	90467-12052	CLIP	1				
29	90467-11825	CLIP	1				
30	90450-43805	HOSE CLAMP ASSY	1				



BK61460-S110

FIG. 11 CRANKCASE COVER 1

REF. NO.	PART NO.	DESCRIPTION	B2S1				REMARKS
1	BK6-E5411-00	COVER, CRANKCASE 1	1				
2	BK6-E5451-00	GASKET, CRANKCASE COVER 1	1				
3	91810-14809	PIN, DOWEL	2				
4	95022-06040	BOLT, FLANGE	7				
5	90340-14824	PLUG, STRAIGHT SCREW	1				
6	93210-148F8	O-RING	1				
7	90340-32823	PLUG, STRAIGHT SCREW	1				
8	93210-32816	O-RING	1				
9	2PV-E5113-00	PLATE	1				
10	BK6-E5418-00	COVER, CHAIN CASE	1				
11	95022-06016	BOLT, FLANGE	2				
12	BK6-E5421-00	COVER, CRANKCASE 2	1				
13	BK6-E5461-00	GASKET, CRANKCASE COVER 2	1				
14	91810-14809	PIN, DOWEL	2				
15	95022-06040	BOLT, FLANGE	4				
16	95022-06050	BOLT, FLANGE	6				
17	BK6-E5362-00	PLUG, OIL LEVEL	1				
18	93210-198F9	O-RING	1				
19	93101-10843	OIL SEAL	1				
20	95022-06090	BOLT, FLANGE	1				

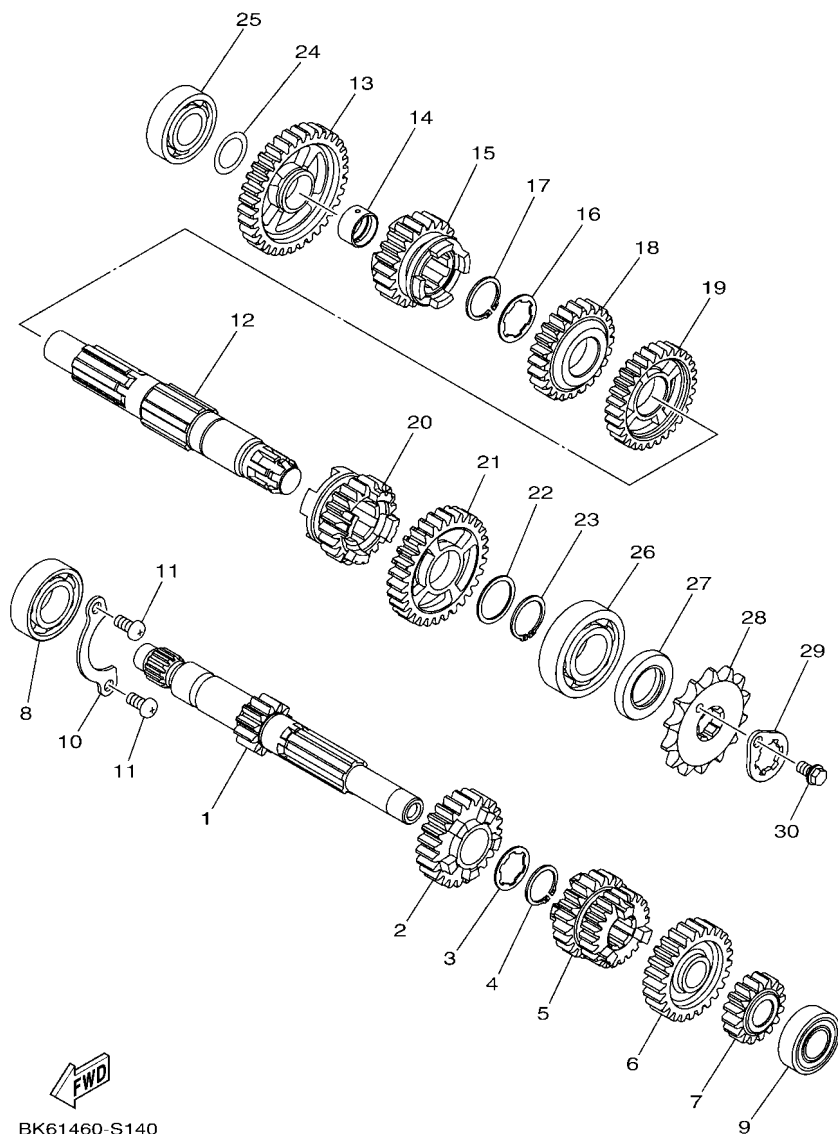


BK61460-S130

FIG. 13 CLUTCH

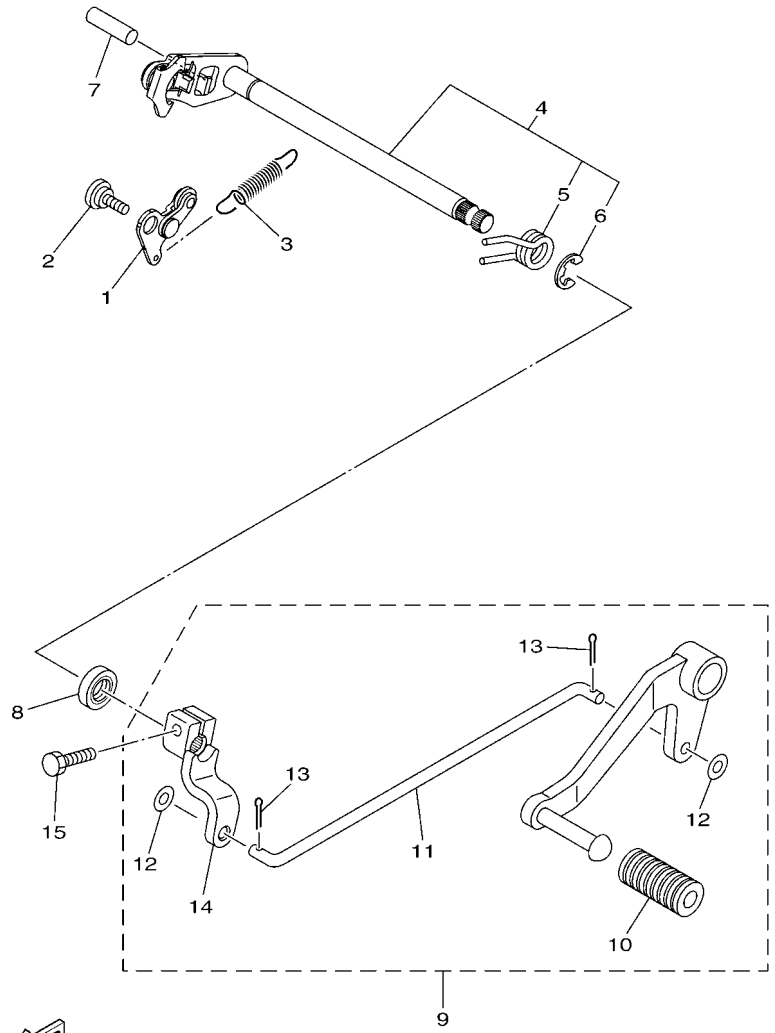
REF. NO.	PART NO.	DESCRIPTION	B2S1				REMARKS
1	3C1-E6111-00	GEAR, PRIMARY DRIVE	1				
2	38B-E6193-00	KEY, FEATHER	1				
3	90201-12019	WASHER, PLATE	1				
4	90179-12808	NUT	1				
5	BK6-E6150-00	PRIMARY DRIVEN GEAR COMP.	1				
6	2ND-E6154-00	PLATE, THRUST 1	1				
7	BK6-E6371-00	BOSS, CLUTCH	1				
8	2ND-E6321-00	PLATE, FRICTION	1				
9	BK6-E6331-00	PLATE, FRICTION 2	1				
10	BK6-E6321-00	PLATE, FRICTION	1				
11	BK6-E6325-00	PLATE, CLUTCH 2	1				
12	BK6-E6324-00	PLATE, CLUTCH 1	1				
13	BK6-E6351-00	PLATE, PRESSURE 1	1				
14	BK6-E6333-00	SPRING, CLUTCH 1	3				
15	BK6-E6774-00	WASHER	3				
16	BK6-E6352-00	PLATE, PRESSURE 2	1				
17	BK6-E6337-00	SCREW, SPRING	3				
18	3C1-E6358-00	PLATE, PUSH	1				
19	3C1-E6356-10	ROD, PUSH 1	1				
20	54B-E6144-00	WASHER	1				
21	3C1-E6344-00	NUT, ADJUSTING	1				
22	90215-14802	WASHER, LOCK	1				
23	90170-14801	NUT	1				
24	BK7-E6380-00	PUSH LEVER ASSY	1				
25	BK6-E6345-00	SPRING, RETURN	1				
26	1PA-E6357-00	ROD, PUSH 2	1				
27	93505-16844	BALL	1				

FIG. 14 TRANSMISSION



BK61460-S140

REF. NO.	PART NO.	DESCRIPTION	B2S1				REMARKS
1	BK6-E7411-00	AXLE, MAIN	1				
2	BK6-E7151-00	GEAR, 5TH PINION (23T)	1				
3	90209-17285	WASHER	1				
4	93410-20038	CIRCLIP	1				
5	5D7-E7131-00	GEAR, 3RD PINION (22T/21T)	1				
6	BK6-E7161-00	GEAR, 6TH PINION (25T)	1				
7	3C1-E7121-00	GEAR, 2ND PINION (16T)	1				
8	93306-054XF	BEARING	1				
9	93306-252YN	BEARING	1				
10	3C1-E7471-00	PLATE, COVER	1				
11	98512-06012	SCREW, PAN HEAD	2				
12	BK6-E7421-00	AXLE, DRIVE	1				
13	3C1-E7211-00	GEAR, 1ST WHEEL (34T)	1				
14	90387-17804	COLLAR	1				
15	BK6-E7251-00	GEAR, 5TH WHEEL (22T)	1				
16	90209-18208	WASHER	1				
17	93410-22039	CIRCLIP	1				
18	BK6-E7241-00	GEAR, 4TH WHEEL (24T)	1				
19	BK6-E7231-00	GEAR, 3RD WHEEL (30T)	1				
20	5D7-E7261-00	GEAR, 6TH WHEEL (21T)	1				
21	BK6-E7221-00	GEAR, 2ND WHEEL (30T)	1				
22	90201-22793	WASHER, PLATE	1				
23	93410-22039	CIRCLIP	1				
24	90201-173F4	WASHER, PLATE	1				
25	93306-253X2	BEARING	1				
26	93306-272YC	BEARING	1				
27	93102-22827	OIL SEAL	1				

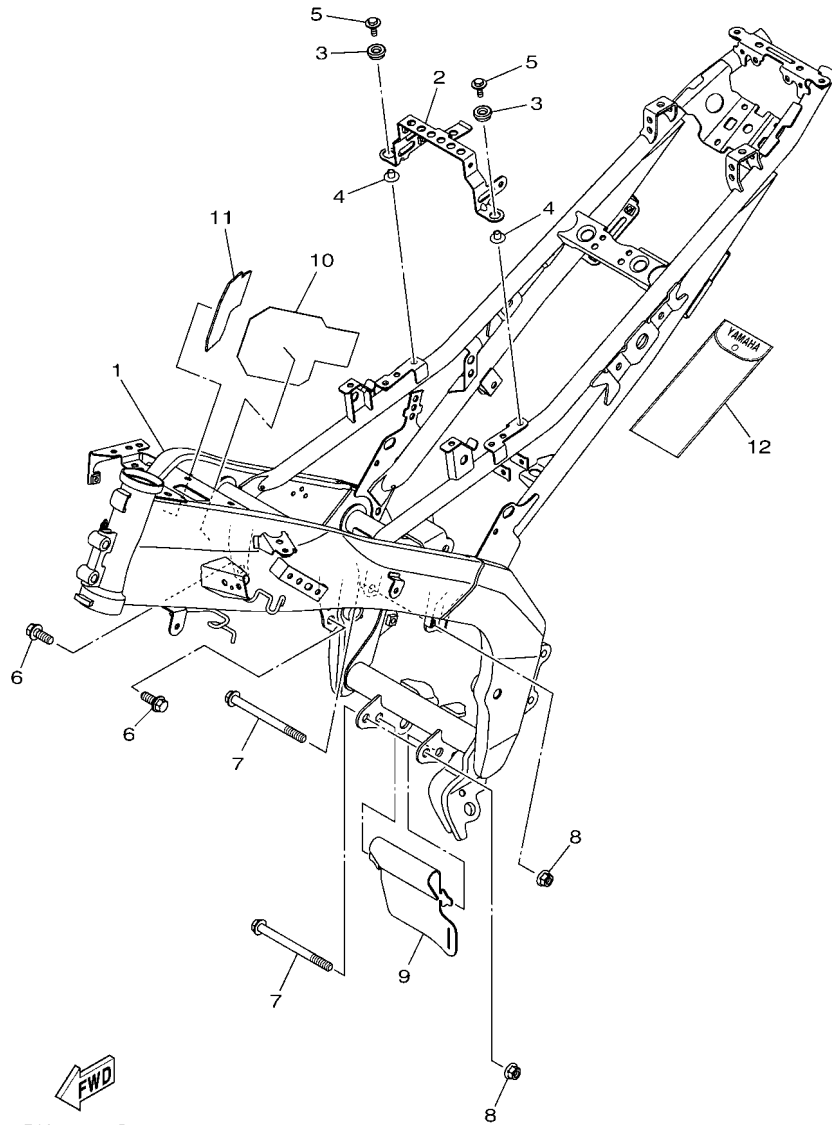


BK61460-S160

FIG. 16 SHIFT SHAFT

REF. NO.	PART NO.	DESCRIPTION	B2S1				REMARKS
1	BK6-E8140-00	STOPPER LEVER ASSY	1				
2	90109-06279	BOLT	1				
3	BK6-E8337-00	SPRING	1				
4	38B-E8101-00	SHIFT SHAFT ASSY	1				
5	90508-32837	.SPRING, TORSION	1				
6	99001-10600	.CIRCLIP	1				
7	93608-30839	PIN, DOWEL	1				
8	93102-12891	OIL SEAL	1				
9	BK7-E8110-00	SHIFT PEDAL ASSY	1				
10	20P-E8113-00	.COVER, SHIFT PEDAL	1				
11	BK7-E8115-00	.ROD, SHIFT	1				
12	92902-06200	.WASHER	2				
13	90252-18800	.PIN, COTTER	2				
14	BK7-E8112-00	.ARM, SHIFT	1				
15	97012-06020	BOLT	1				

FIG. 17 FRAME



BK61460-S170

REF. NO.	PART NO.	DESCRIPTION	B2S1				REMARKS
1	BK6-F1110-00	FRAME COMP.	1				
2	BK6-F1946-00	BRACKET, SEAT FITTING	1				
3	90480-13567	GROMMET	2				
4	90387-068C5	COLLAR	2				
5	90119-06810	BOLT, WITH WASHER	2				
6	90105-10225	BOLT, FLANGE	2				
7	90105-10886	BOLT, FLANGE	2				
8	90179-10805	NUT	2				
9	BK6-F2327-00	MUD GUARD 1	1				
10	BK6-F112C-00	DAMPER 2	1				
11	BK6-F112D-00	DAMPER 3	1				
12	BK6-F8100-00	TOOL KIT	1				

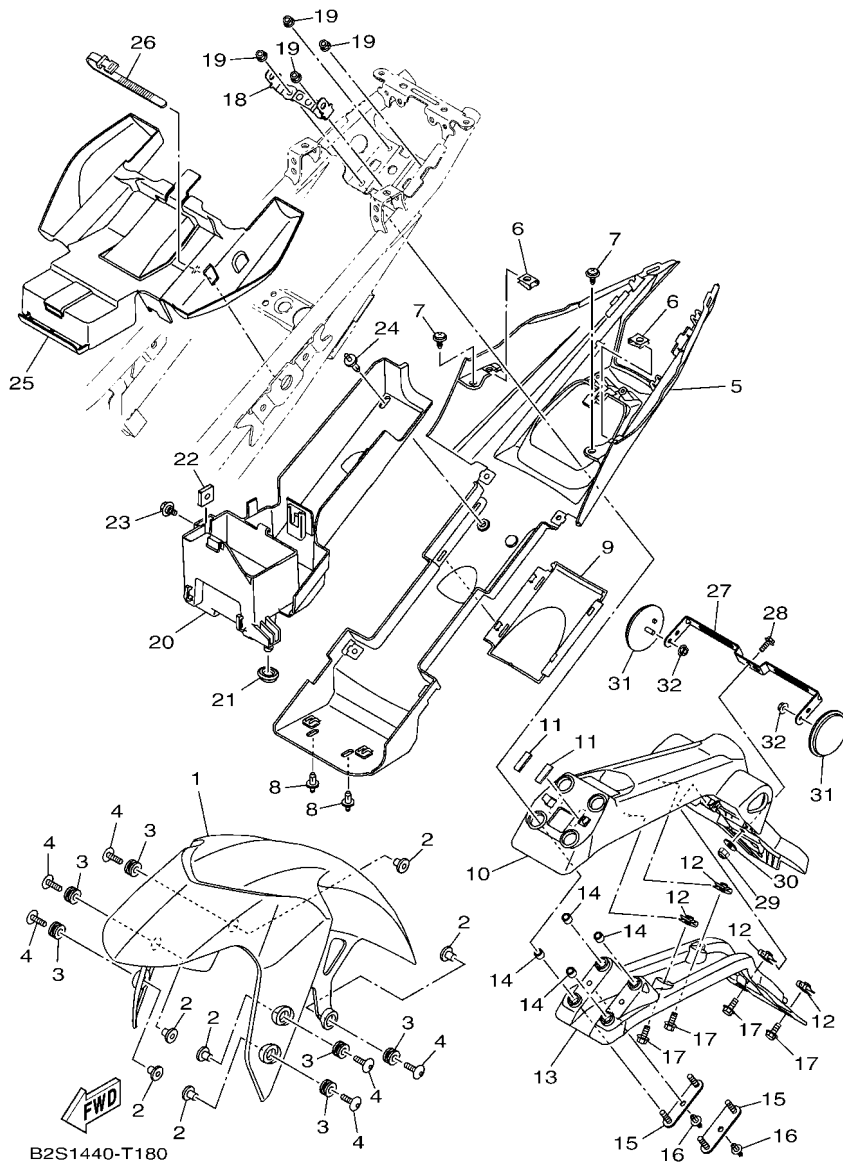
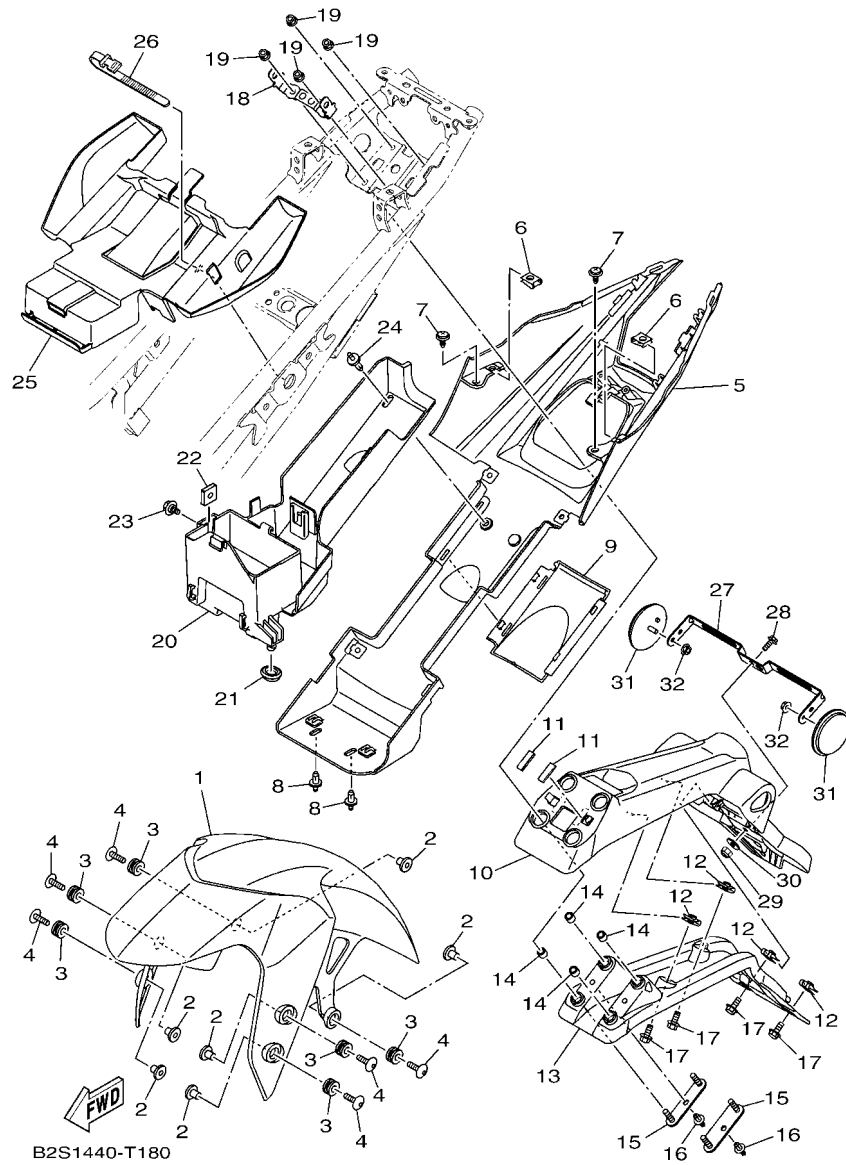


FIG. 18 FENDER

REF. NO.	PART NO.	DESCRIPTION	B2S1	REMARKS
1	BK6-F1511-00-P3	FENDER, FRONT	1	SMX
2	90387-06205	COLLAR	6	
3	90480-12805	GROMMET	6	
4	90111-06137	BOLT,HEX. SOCKET BUTTON	6	
5	BK6-F1611-00	FENDER, REAR	1	
6	90183-05807	NUT, SPRING	2	
7	90159-06817	SCREW, WITH WASHER	2	
8	90269-06816	RIVET	2	
9	BK6-F162R-00-P2	FENDER 2	1	UR FOR DPBMC
	BK6-F162R-00-P3	FENDER 2	1	UR FOR SMX
	BK6-F162R-00-P4	FENDER 2	1	UR FOR YM6
10	BK6-F1629-01	GUARD, MUD	1	
11	28D-F834E-00	DAMPER 3	2	
12	90183-050A7	NUT, SPRING	4	
13	BK6-F1617-00	BRACKET, FENDER	1	
14	90387-066J9	COLLAR	4	
15	BK6-F1613-00	STAY, FENDER 1	2	
16	90269-06816	RIVET	2	
17	90119-05022	BOLT, WITH WASHER	4	
18	BK6-H1948-00	BRACKET	1	
19	95602-06200	NUT, SELF-LOCKING	4	
20	BK6-F160E-00	BOX	1	
21	90480-01558	GROMMET	1	
22	90173-06806	NUT, SQUARE	1	
23	90109-06202	BOLT	1	
24	90269-06816	RIVET	1	
25	BK6-F1653-00	BOX	1	

FIG. 18 FENDER



B2S1440-T180

REF. NO.	PART NO.	DESCRIPTION	B2S1				REMARKS
26	3AY-H3936-00	BAND, SWITCH CORD	1				
27	B2S-F1641-00	BRACKET, REFLECTOR	1				
28	95022-06014	BOLT, FLANGE	1				
29	95607-06100	NUT, SELF-LOCKING	1				
30	90201-06078	WASHER, PLATE	1				
31	2FC-H5111-00	REFLECTOR, FRONT 1	2				
32	95707-05500	NUT, FLANGE	2				

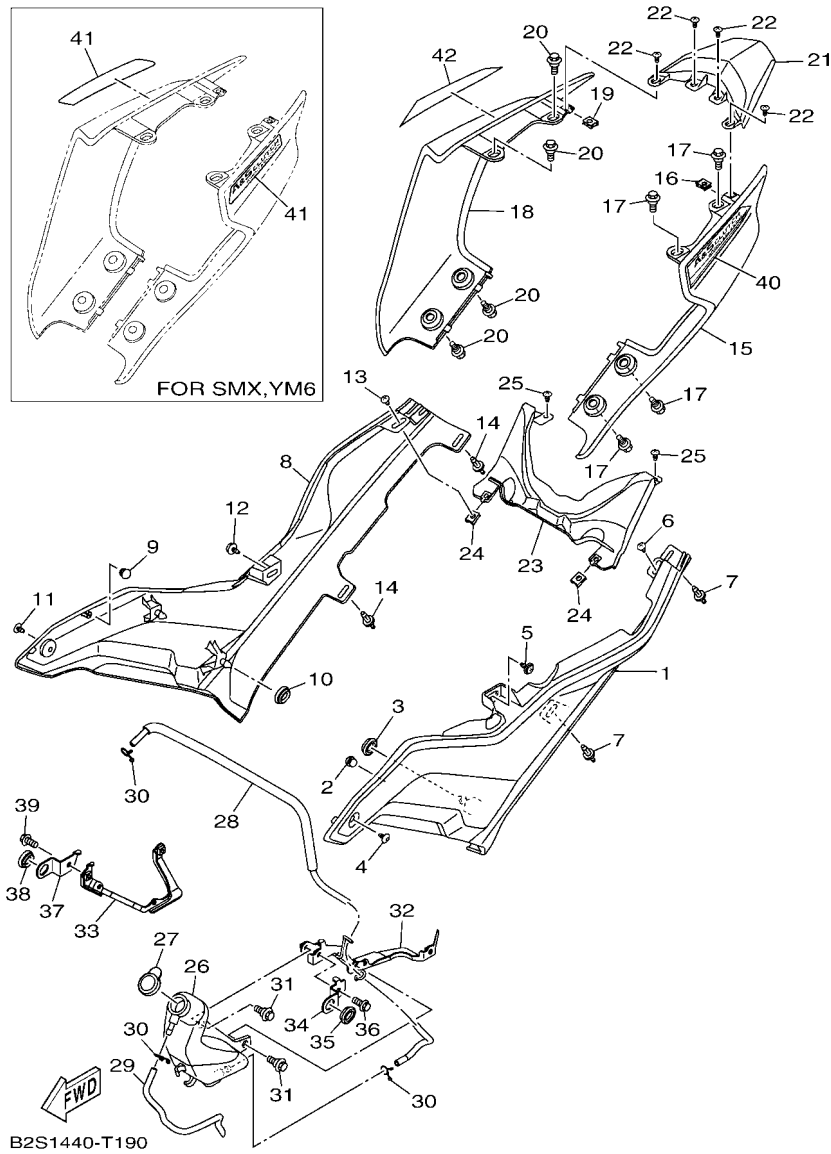


FIG. 19 SIDE COVER

REF. NO.	PART NO.	DESCRIPTION	B2S1			REMARKS
1	BK6-F1711-00	COVER, SIDE 1	1			
2	45P-F1717-00	DAMPER	1			
3	90480-01558	GROMMET	1			
4	90160-05812	SCREW, ROUND TAPPING	1			
5	90159-06817	SCREW, WITH WASHER	1			
6	97702-50012	SCREW, TAPPING	1			
7	90269-06816	RIVET	2			
8	BK6-F1721-00	COVER, SIDE 2	1			
9	45P-F1717-00	DAMPER	1			
10	90480-01558	GROMMET	1			
11	90160-05812	SCREW, ROUND TAPPING	1			
12	90159-06817	SCREW, WITH WASHER	1			
13	97702-50012	SCREW, TAPPING	1			
14	90269-06816	RIVET	2			
15	BK6-F1731-00-P2	COVER, SIDE 3	1			UR FOR DPBMC
	BK6-F1731-00-P3	COVER, SIDE 3	1			UR FOR SMX
	BK6-F1731-00-P4	COVER, SIDE 3	1			UR FOR YM6
16	90183-05807	NUT, SPRING	1			
17	90109-068B2	BOLT	4			
18	BK6-F1741-00-P2	COVER, SIDE 4	1			UR FOR DPBMC
	BK6-F1741-00-P3	COVER, SIDE 4	1			UR FOR SMX
	BK6-F1741-00-P4	COVER, SIDE 4	1			UR FOR YM6
19	90183-05807	NUT, SPRING	1			
20	90109-068B2	BOLT	4			
21	BK6-F171E-00	COVER, SIDE 5	1			
22	97707-50012	SCREW, TRUSS HEAD TAPPING	4			
23	BK6-F171X-00	COVER, SIDE 6	1			

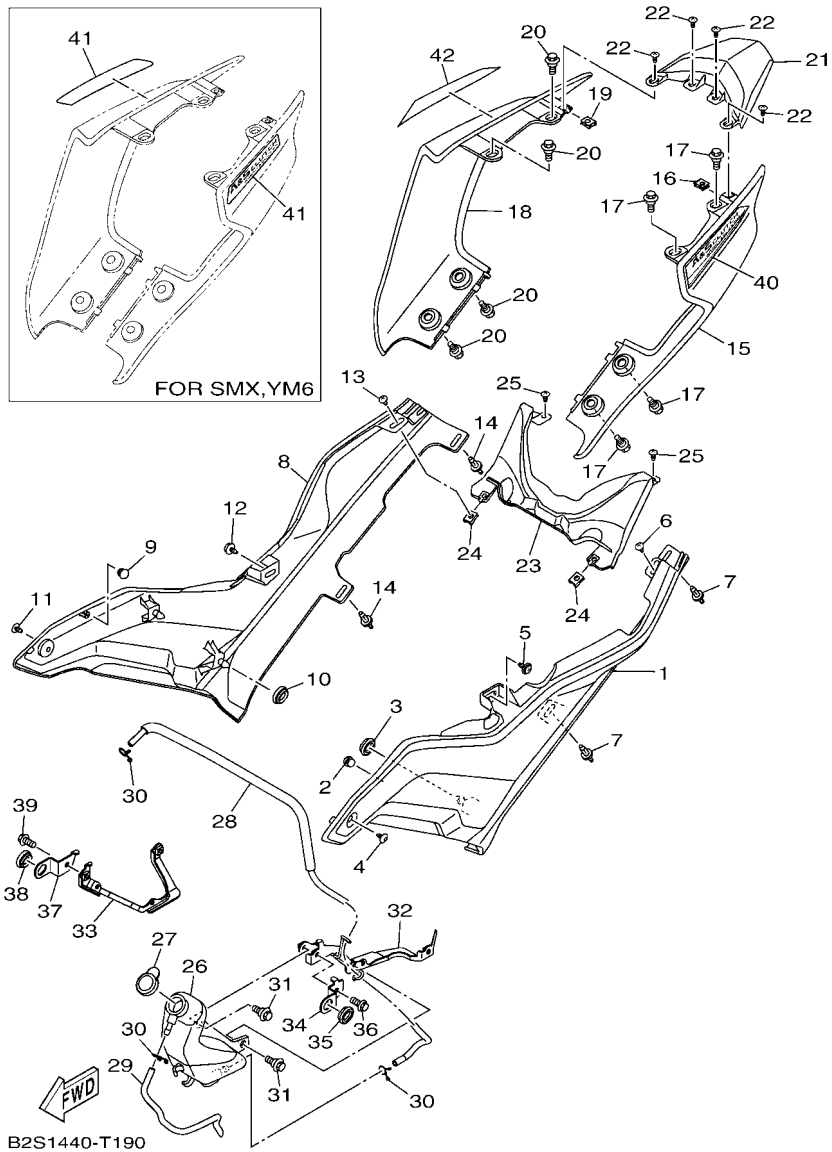
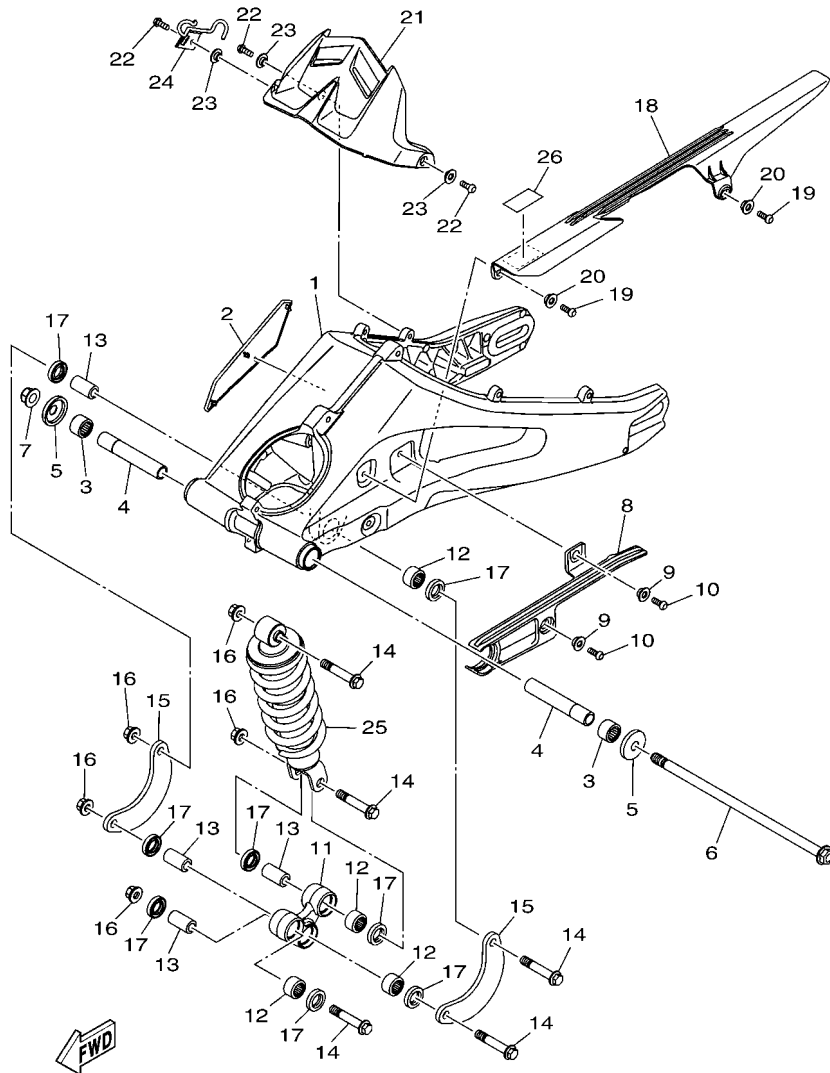


FIG. 19 SIDE COVER

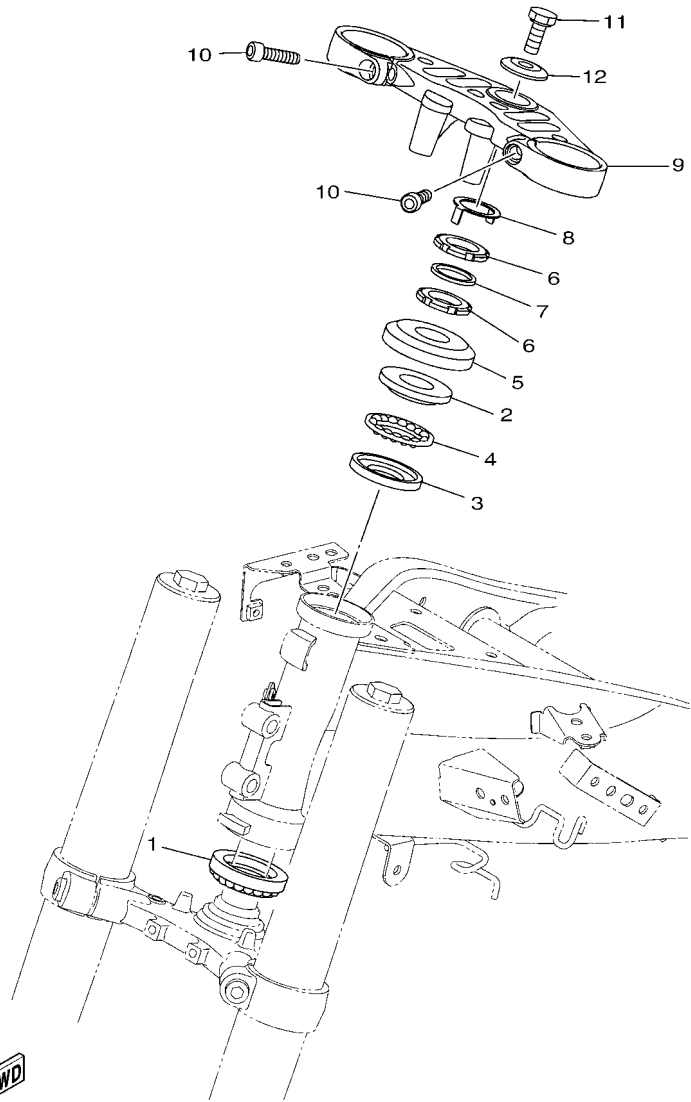
REF. NO.	PART NO.	DESCRIPTION	B2S1				REMARKS
24	90183-05807	NUT, SPRING	2				
25	97702-50012	SCREW, TAPPING	2				
26	BK6-F1871-00	TANK, RECOVERY	1				
27	1S7-F1875-01	CAP	1				
28	BK6-F1817-00	PIPE 2	1				
29	BK6-F247A-00	HOSE 1	1				
30	90467-08003	CLIP	3				
31	90109-06220	BOLT	2				
32	BK6-F8283-00	BRACKET, POUCH	1				
33	BK6-F8284-00	BRACKET, UNDER	1				
34	BK6-F8417-00	PLATE	1				
35	90480-01558	GROMMET	1				
36	95022-06014	BOLT, FLANGE	1				
37	BK6-F841F-00	PLATE	1				
38	90480-01558	GROMMET	1				
39	95022-06014	BOLT, FLANGE	1				
40	B2S-F173E-00	GRAPHIC 1	1				FOR DPBMC
41	B2S-F173E-10	GRAPHIC 1	2				UR FOR SMX
	B2S-F173E-20	GRAPHIC 1	2				UR FOR YM6
42	B2S-F173F-00	GRAPHIC 2	1				FOR DPBMC



BK61460-S200

FIG. 20 REAR ARM & SUSPENSION

REF. NO.	PART NO.	DESCRIPTION	B2S1				REMARKS
1	BK6-F2110-00	REAR ARM COMP.	1				
2	BK6-F135F-00	COVER	1				
3	93317-218Y1	BEARING	2				
4	BK6-F2184-00	BUSH	2				
5	2PK-F2128-00	COVER, THRUST 1	2				
6	BK6-F2141-00	SHAFT, PIVOT	1				
7	95602-12200	NUT, SELF-LOCKING	1				
8	BK6-F2151-00	SEAL, GUARD	1				
9	90387-068S1	COLLAR	2				
10	92012-06016	BOLT, BUTTON HEAD	2				
11	2PK-F217A-00	ARM, RELAY	1				
12	93315-317Y1	BEARING	4				
13	90387-10814	COLLAR	4				
14	90105-10887	BOLT, FLANGE	5				
15	2PK-F217F-00	ROD, CONNECTING 1	2				
16	90179-10805	NUT	5				
17	93106-17801	OIL SEAL	8				
18	BK6-F2311-00	CASE, CHAIN	1				
19	92012-06016	BOLT, BUTTON HEAD	2				
20	90387-068S1	COLLAR	2				
21	BK6-F1650-00	REAR FENDER COMP.	1				
22	92012-06016	BOLT, BUTTON HEAD	3				
23	90387-068S1	COLLAR	3				
24	BK6-F587A-00	HOLDER, BRAKE HOSE	1				
25	BK6-F2210-00	SHOCK ABSORBER ASSY, REAR	1				
26	B92-F1668-00	LABEL, TIRE	1				

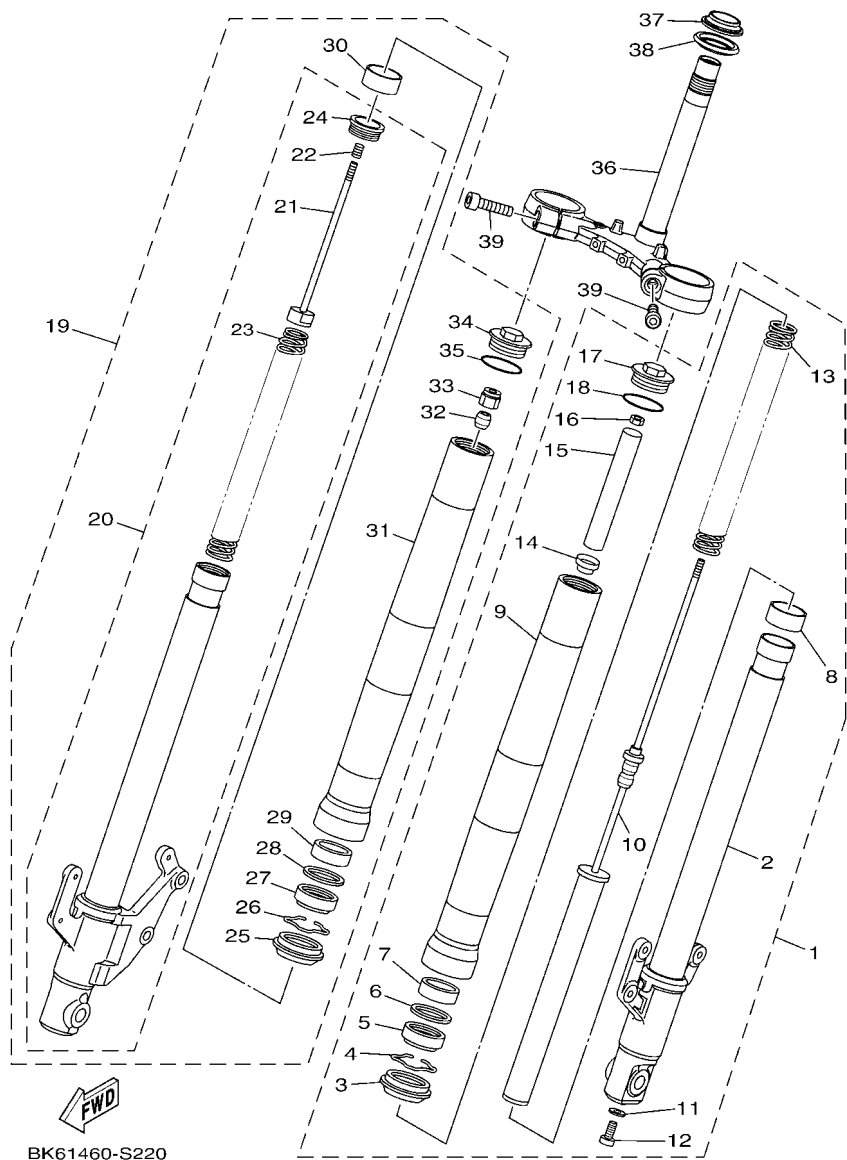


BK61460-S210

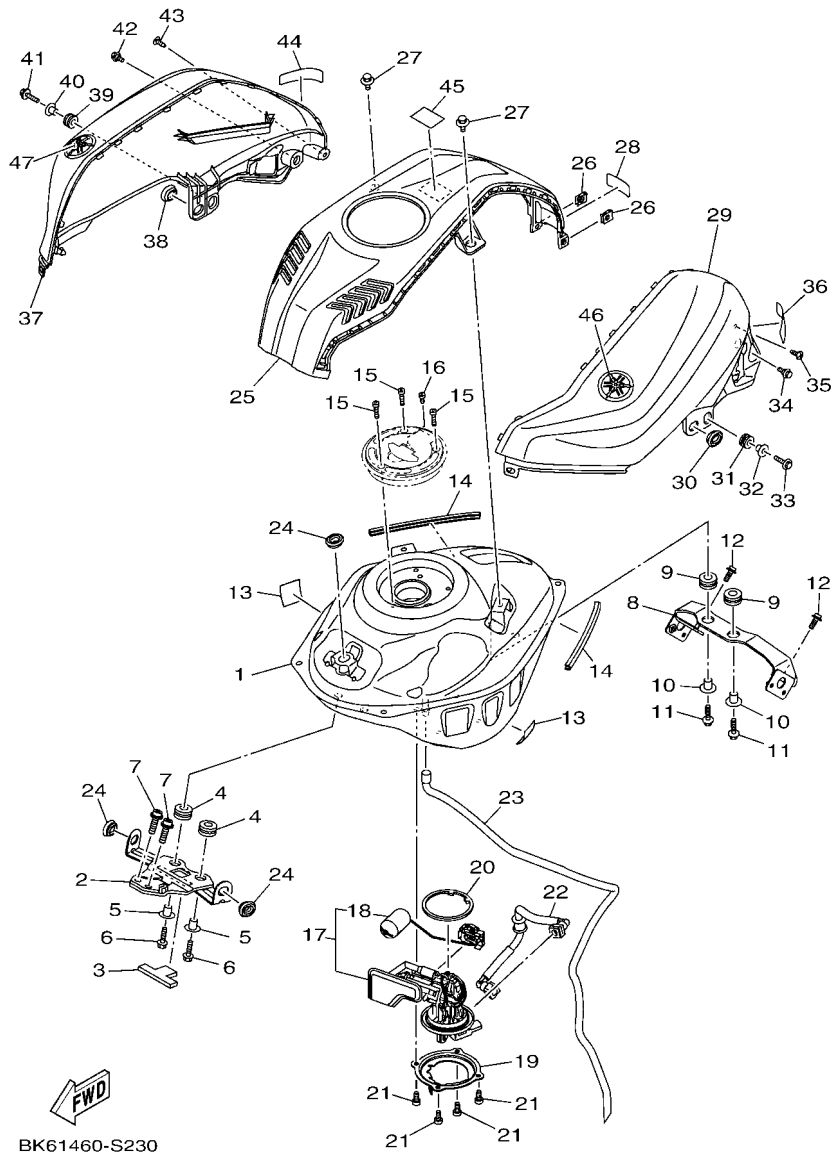
FIG. 21 STEERING

REF. NO.	PART NO.	DESCRIPTION	B2S1				REMARKS
1	5BP-F3873-01	BEARING, STEERING UPPER	1				
2	4FP-F3411-20	RACE, BALL 1	1				
3	4FP-F3412-10	RACE, BALL 2	1				
4	5VL-F341E-10	RETAINER, BALL BEARING	1				
5	5BP-F3416-10	COVER, BALL RACE 2	1				
6	90179-25615	NUT	2				
7	90202-26142	WASHER, PLATE	1				
8	1PA-F3418-00	WASHER, SPECIAL	1				
9	BK6-F3435-00	CROWN, HANDLE	1				
10	91317-08030	BOLT,HEX.SOCKET HEAD	2				
11	90105-10006	BOLT, FLANGE	1				
12	90209-10020	WASHER	1				

FIG. 22 FRONT FORK



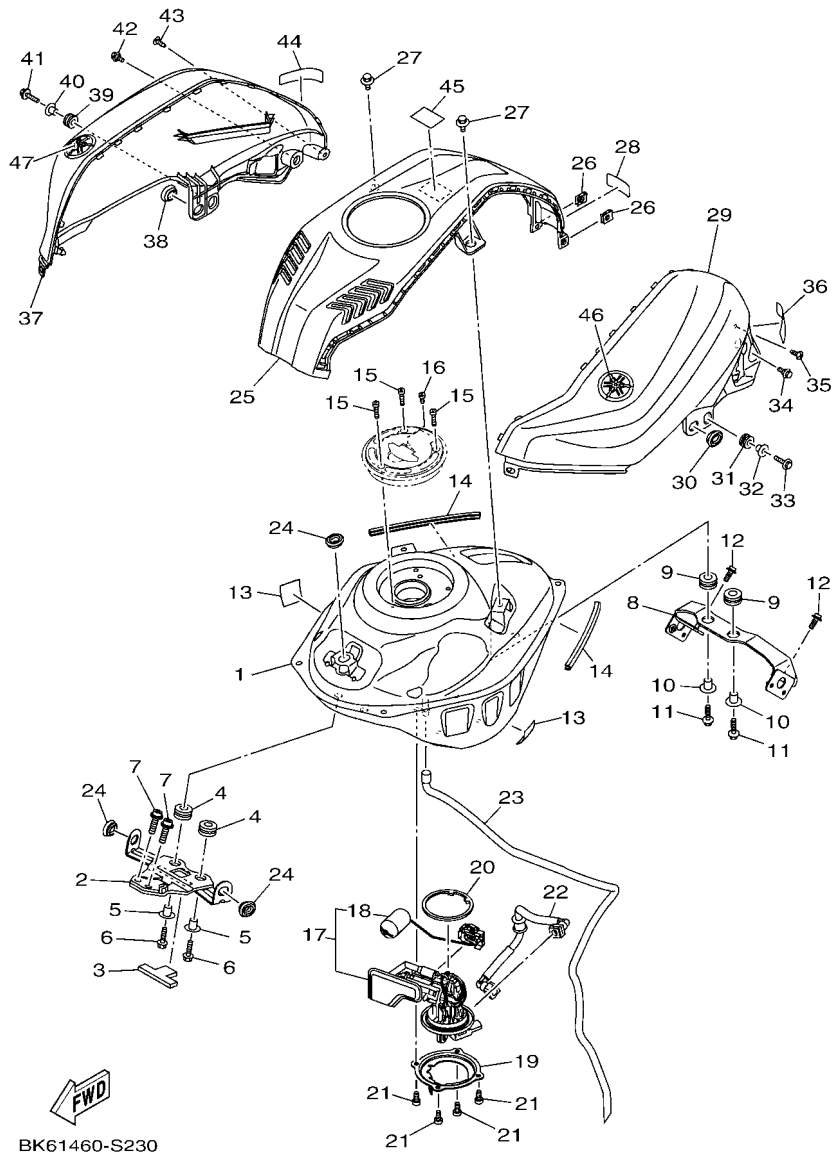
REF. NO.	PART NO.	DESCRIPTION	B2S1				REMARKS
1	BK6-F3102-10	FRONT FORK ASSY (L.H)	1				
2	BK6-F3110-00	.INNER TUBE COMP.1	1				
3	B48-F3144-00	.SEAL, DUST	1				
4	3R4-23153-00	.RING, SNAP	1				
5	BK6-F3145-00	.OIL SEAL	1				
6	31A-23149-31	.WASHER, SPRING UPPER	1				
7	31A-23125-31	.METAL, SLIDE 1	1				
8	BK6-F3171-00	.PISTON, FRONT FORK	1				
9	BK6-F3126-10	.TUBE, OUTER (L.H)	1				
10	BK6-F3170-00	.CYLINDER COMP., FRONT FORK	1				
11	2BU-F3158-00	.GASKET	1				
12	31B-F3181-00	.BOLT, HEXAGON SOCKET HEAD	1				
13	BK6-F3141-00	.SPRING, FRONT FORK	1				
14	BK6-F3117-00	.GUIDE, SPRING	1				
15	BK6-F3118-00	.SPACER	1				
16	BK6-F3357-00	.NUT	1				
17	BK6-F3111-00	.BOLT, CAP	1				
18	4V4-23188-L0	.O-RING	1				
19	BK6-F3103-10	FRONT FORK ASSY (R.H)	1				
20	BK6-F3120-00	.INNER TUBE COMP.2	1				
21	BK6-F330G-00	.ROD COMP.	1				
22	3AH-22222-00	.SPRING 2	1				
23	BK6-F3141-00	.SPRING, FRONT FORK	1				
24	BK6-F319U-00	.CAP	1				
25	B48-F3144-00	.SEAL, DUST	1				
26	3R4-23153-00	.RING, SNAP	1				
27	BK6-F3145-00	.OIL SEAL	1				



BK61460-S230

FIG. 23 FUEL TANK

REF. NO.	PART NO.	DESCRIPTION	B2S1				REMARKS
1	BK6-F4110-00	FUEL TANK COMP.	1				
2	BK6-F412Y-00	BRACKET, TANK FITTING	1				
3	BK6-F4181-00	DAMPER, LOCATING 1	1				
4	90480-15363	GROMMET	2				
5	90387-068B2	COLLAR	2				
6	90105-06169	BOLT, FLANGE	2				
7	90110-08839	BOLT, HEXAGON SOCKET HEAD	2				
8	BK6-F4191-00	BRACKET, FUEL TANK 1	1				
9	90480-15363	GROMMET	2				
10	90387-068B2	COLLAR	2				
11	90105-06169	BOLT, FLANGE	2				
12	90110-06215	BOLT, HEXAGON SOCKET HEAD	2				
13	5D9-F414G-10	SEAL	2				
14	BK8-F4188-00	MOLD, FUEL TANK	2				
15	90110-05806	BOLT, HEXAGON SOCKET HEAD	3				
16	91312-05010	BOLT, HEXAGON SOCKET HEAD	1				
17	BK6-E3907-00	FUEL PUMP COMP.	1				
18	BK6-H5752-00	.SENDER UNIT ASSY, FUEL METER	1				
19	BK6-F4491-00	BRACKET, FUEL PUMP	1				
20	54P-F414G-10	SEAL	1				
21	91312-05010	BOLT, HEXAGON SOCKET HEAD	4				
22	BK6-E3971-00	PIPE, FUEL 1	1				
23	BK7-F4312-00	PIPE 2	1				
24	90480-01558	GROMMET	3				
25	BK6-F41B1-00-P1	COVER, TANK	1				SMX FOR DPBMC, YM6
	BK6-F41B1-00-P3	COVER, TANK	1				MBL2 FOR SMX
26	90183-05807	NUT, SPRING	2				

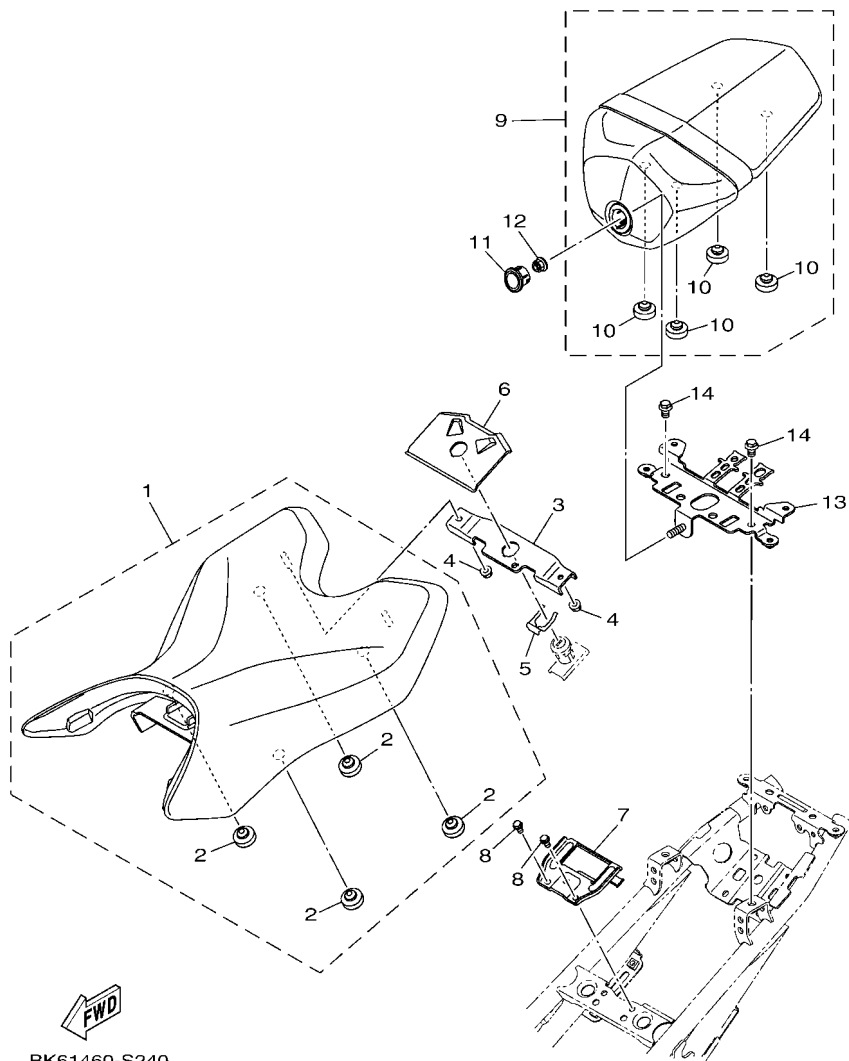


BK61460-S230

FIG. 23 FUEL TANK

REF. NO.	PART NO.	DESCRIPTION	B2S1				REMARKS
27	90109-068B2	BOLT	2				
28	BK6-F414G-00	SEAL	1				
29	BK6-F4129-00-P0	COVER, SIDE 1	1				UR FOR DPBMC
	BK6-F4129-00-P3	COVER, SIDE 1	1				UR FOR SMX
	BK6-F4129-00-P4	COVER, SIDE 1	1				UR FOR YM6
30	90480-01559	GROMMET	1				
31	90480-12805	GROMMET	1				
32	90387-06899	COLLAR	1				
33	90159-05011	SCREW, WITH WASHER	1				
34	90109-05014	BOLT	1				
35	97702-50016	SCREW, TAPPING	1				
36	BK6-F414E-00	SEAL 2	1				
37	BK6-F4139-00-P0	COVER, SIDE 2	1				UR FOR DPBMC
	BK6-F4139-00-P3	COVER, SIDE 2	1				UR FOR SMX
	BK6-F4139-00-P4	COVER, SIDE 2	1				UR FOR YM6
38	90480-01559	GROMMET	1				
39	90480-12805	GROMMET	1				
40	90387-06899	COLLAR	1				
41	90159-05011	SCREW, WITH WASHER	1				
42	90109-05014	BOLT	1				
43	97702-50016	SCREW, TAPPING	1				
44	BK6-F414E-00	SEAL 2	1				
45	B17-F1568-00	LABEL, WARNING	1				
46	B74-F414B-00	EMBLEM	1				
47	B74-F414B-00	EMBLEM	1				

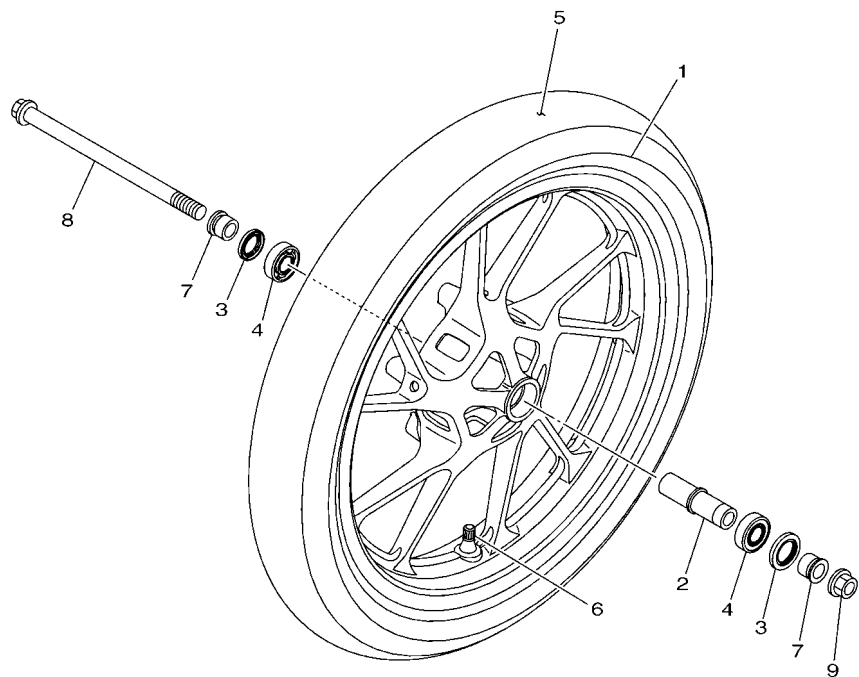
FIG. 24 SEAT



BK61460-S240

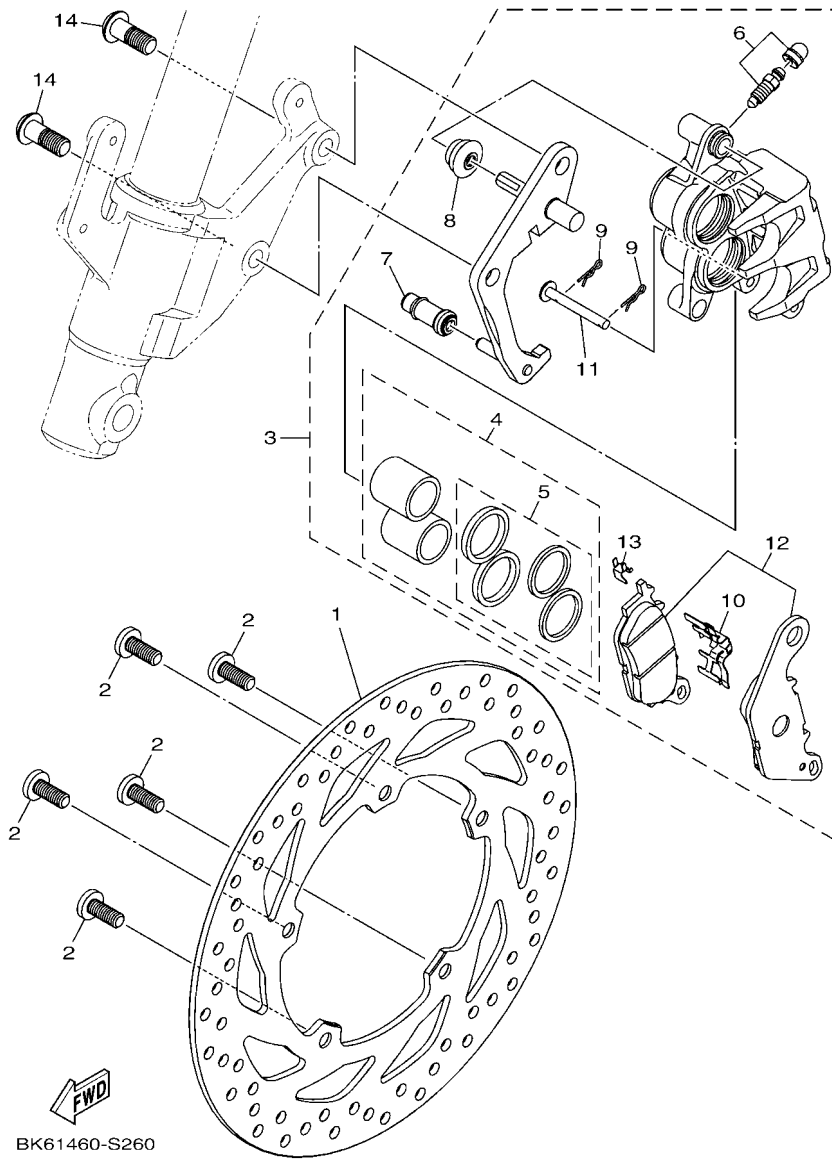
REF. NO.	PART NO.	DESCRIPTION	B2S1				REMARKS
1	BK7-F4710-00	SINGLE SEAT ASSY	1				
2	4LS-F4741-00	.PAD, SEAT	4				
3	BK6-F4728-00	BRACKET, SEAT	1				
4	95607-06200	NUT, SELF U-FLANGE	2				
5	BK6-F176V-00	SPRING, LOCK 2	1				
6	BK6-F4796-00	COVER	1				
7	BK6-F475H-00	BRACKET, SEAT LEVER 1	1				
8	95022-06010	BOLT, FLANGE	2				
9	BK7-F4750-00	TANDEM SEAT ASSY	1				
10	4LS-F4741-00	.PAD, SEAT	4				
11	BK6-F475X-00	COVER,2	1				
12	95602-08200	NUT, U FLANGE	1				
13	BK6-F475J-00	BRACKET, SEAT LEVER 2	1				
14	95022-08012	BOLT, FLANGE	2				

FIG. 25 FRONT WHEEL



REF. NO.	PART NO.	DESCRIPTION	B2S1				REMARKS
1	BK6-F5168-00-P0	CAST WHEEL, FRONT	1				DPBM15 FOR DPBMC
	BK6-F5168-00-0X	CAST WHEEL, FRONT	1				YB/DRSC FOR SMX
	BK6-F5168-00-1X	CAST WHEEL, FRONT	1				YB/YS5 FOR YM6
2	21C-F510C-10	COLLAR ASSY.	1				
3	93106-22808	OIL SEAL	2				
4	93306-252YP	BEARING	2				
5	94110-17823	TIRE (100/80-17M/C 52P RX-01F)	1				INOUE
6	93900-00824	VALVE, RIM	1				
7	1CK-F5186-00	COLLAR, WHEEL	2				
8	BK6-F5181-00	AXLE, WHEEL	1				
9	95602-14200	NUT, SELF-LOCKING	1				


BK61460-S250

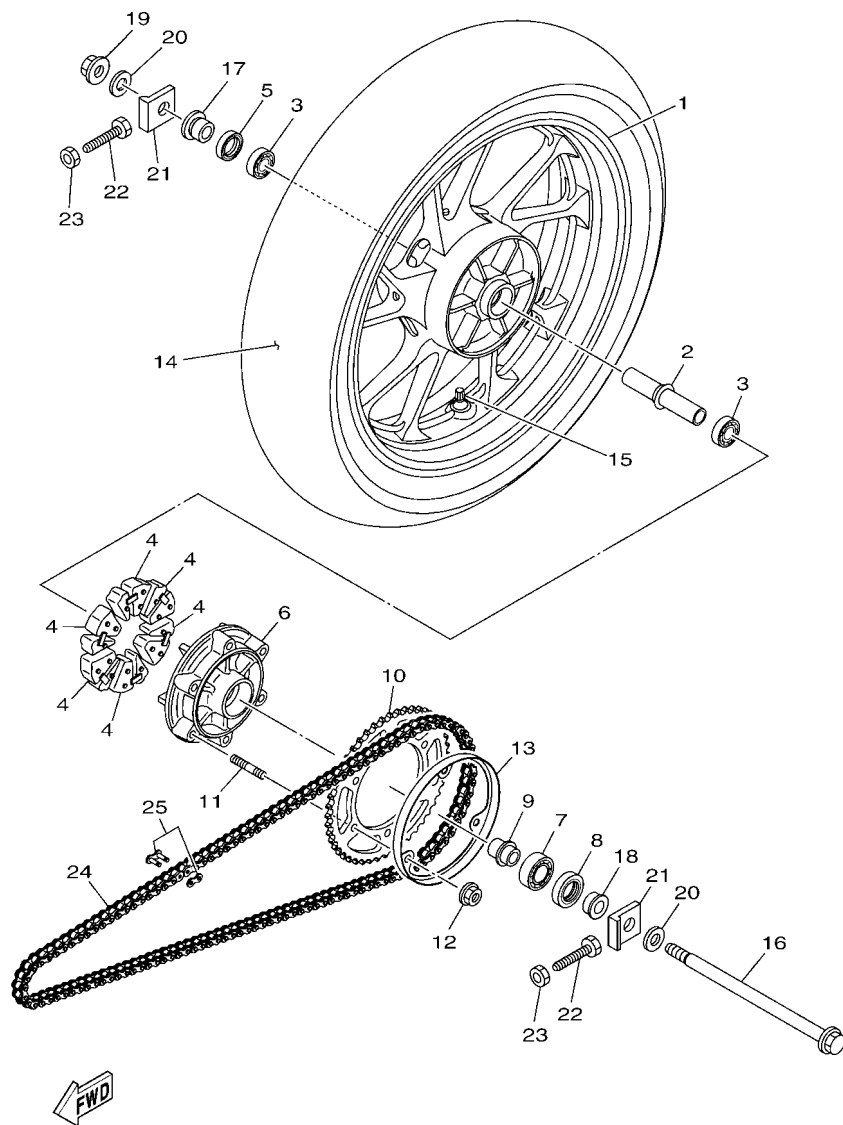


BK61460-S260

FIG. 26 FRONT BRAKE CALIPER

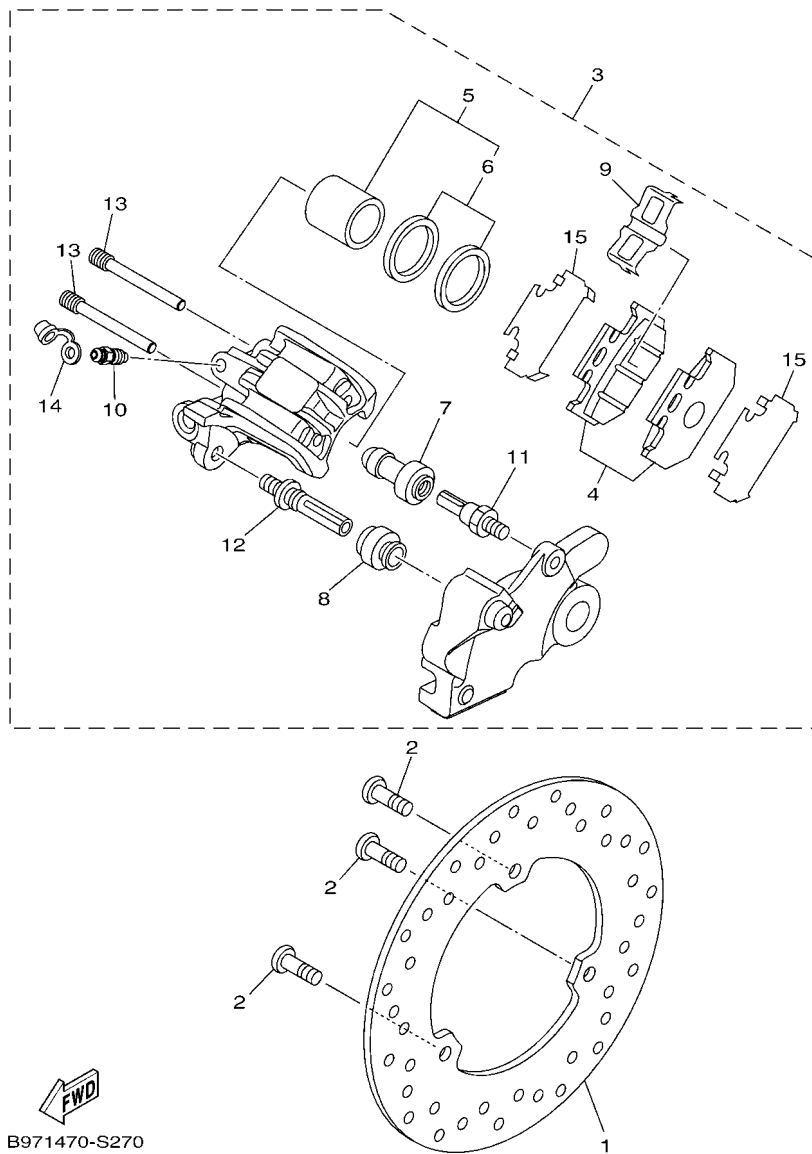
REF. NO.	PART NO.	DESCRIPTION	B2S1	REMARKS
1	BK6-F582U-00	DISK, BRAKE (RIGHT)	1	
2	90111-08089	BOLT,HEX. SOCKET BUTTON	5	
3	B48-F580U-01	CALIPER ASSY (RIGHT)	1	
4	3C1-F5802-00	.PISTON ASSY, CALIPER	1	
5	3C1-F5803-50	..CALIPER SEAL KIT	1	
6	4C9-W0048-00	..BLEED SCREW KIT	1	
7	5YP-F5937-00	..BOOT 2	1	
8	5YP-F5917-00	..BOOT, CALIPER	1	
9	5YP-F5925-01	..CLIP	2	
10	5P0-F5919-01	..SUPPORT, PAD	1	
11	5YP-F5924-00	..PIN, PAD	1	
12	3C1-F5805-10	..BRAKE PAD KIT	1	
13	5YP-F5939-00	..CLIP, PAD	1	
14	90149-10804	SCREW	2	

FIG. 27 REAR WHEEL



B2S1440-T270

REF. NO.	PART NO.	DESCRIPTION	B2S1			REMARKS
1	BK6-F5338-00-P0	CAST WHEEL, REAR	1			DPBM15 FOR DPBMC
	BK6-F5338-00-0X	CAST WHEEL, REAR	1			YB/DRSC FOR SMX
	BK6-F5338-00-1X	CAST WHEEL, REAR	1			YB/YS5 FOR YM6
2	B97-F530S-00	COLLAR ASSY	1			
3	93306-252YP	BEARING	2			
4	B97-F5364-00	DAMPER	6			
5	93106-22808	OIL SEAL	1			
6	BK6-F5366-00	CLUTCH, HUB	1			
7	93306-054XC	BEARING	1			
8	93106-26815	OIL SEAL	1			
9	B97-F5376-00	COLLAR, WHEEL	1			
10	BK6-F5448-00	SPROCKET, DRIVEN (48T)	1			
11	90116-08846	BOLT, STUD	6			
12	95602-08200	NUT, U FLANGE	6			
13	BK6-F5414-00	SPACER	1			
14	94114-17802	TIRE (140/70-17M/C 66S RX-01R)	1			INOUE
15	93900-00824	VALVE, RIM	1			
16	5BP-F5381-00	AXLE, WHEEL	1			
17	B97-F5377-00	COLLAR, WHEEL	1			
18	B97-F5383-00	COLLAR, WHEEL	1			
19	95602-14200	NUT, SELF-LOCKING	1			
20	90201-15814	WASHER, PLATE	2			
21	1CK-F5388-00	PULLER, CHAIN 1	2			
22	90101-08006	BOLT	2			
23	95302-08700	NUT, HEXAGON	2			
24	9X568-K1127	CHAIN (DID428VIX2 128LL)	1			
25	94668-K1021	JOINT, CHAIN	1			

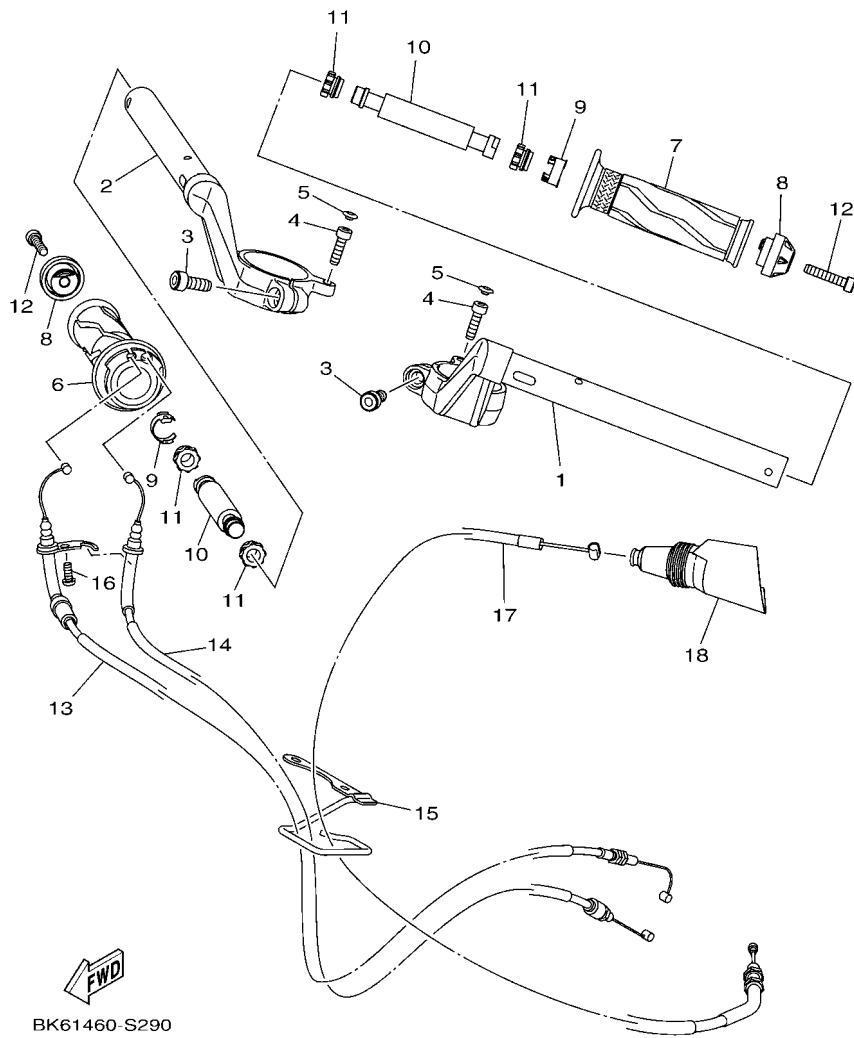


B971470-S270

FIG. 28 REAR BRAKE CALIPER

REF. NO.	PART NO.	DESCRIPTION	B2S1				REMARKS
1	BK6-F582W-00	DISK, REAR BRAKE 2	1				
2	90111-08089	BOLT,HEX. SOCKET BUTTON	3				
3	B97-F580W-00	CALIPER ASSY, REAR 2	1				
4	B97-F5806-00	.BRAKE PAD KIT 2	1				
5	5XT-25802-50	.PISTON ASSY, CALIPER	1				
6	3JD-25803-50	..CALIPER SEAL KIT	1				
7	5HH-F5937-00	.BOOT 2	1				
8	5HH-F5917-00	.BOOT, CALIPER	1				
9	3SP-25919-51	.SUPPORT, PAD	1				
10	5HH-F5824-00	.SCREW, BLEED	1				
11	5HH-F5914-00	.PIN, SLIDE	1				
12	3SP-25926-51	.BOLT	1				
13	3SP-25924-51	.PIN, PAD	2				
14	5HH-F5825-51	.CAP	1				
15	5XT-25827-00	.SHIM, CALIPER	2				

FIG. 29 STEERING HANDLE & CABLE



BK61460-S290

REF. NO.	PART NO.	DESCRIPTION	B2S1				REMARKS
1	BK6-F6121-00	HANDLEBAR (LEFT)	1				
2	BK6-F6122-00	HANDLEBAR (RIGHT)	1				
3	91317-08020	BOLT,HEX.SOCKET HEAD	2				
4	91317-06020	BOLT,HEX.SOCKET HEAD	2				
5	20P-F3469-00	CAP, BOLT	2				
6	BK7-F6240-00	GRIP ASSY	1				
7	20P-F6241-00	GRIP	1				
8	BK7-F6246-00	END, GRIP	2				
9	1S7-F6257-00	STOPPER	2				
10	1S7-F622H-00	WEIGHT	2				
11	1S7-F622F-00	DAMPER, LOCATING 1	4				
12	91317-06030	BOLT,HEX.SOCKET HEAD	2				
13	BK6-F6311-00	CABLE, THROTTLE 1	1				
14	BK6-F6312-00	CABLE, THROTTLE 2	1				
15	BK6-F6315-00	GUIDE, WIRE	1				
16	98507-05012	SCREW, PAN HEAD	1				
17	BK6-F6335-00	CABLE, CLUTCH	1				
18	3RS-F6372-00	COVER, HANDLE LEVER 1	1				

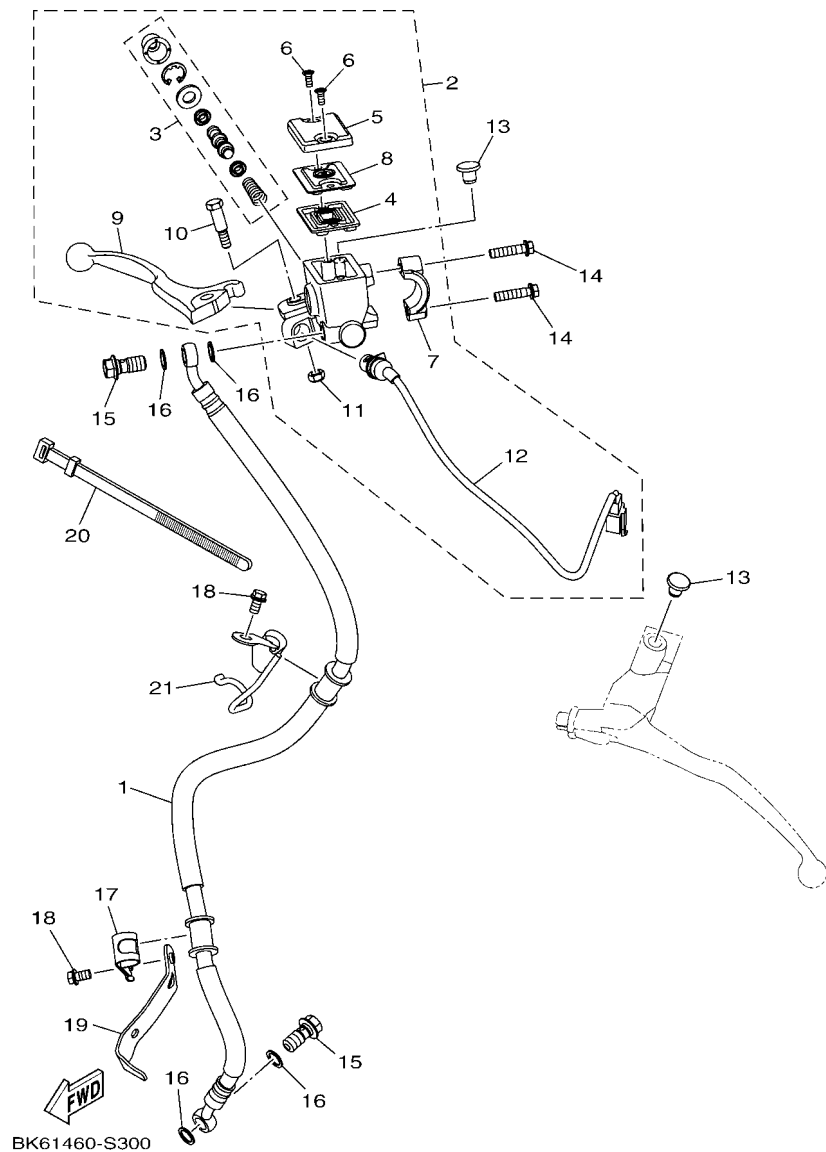
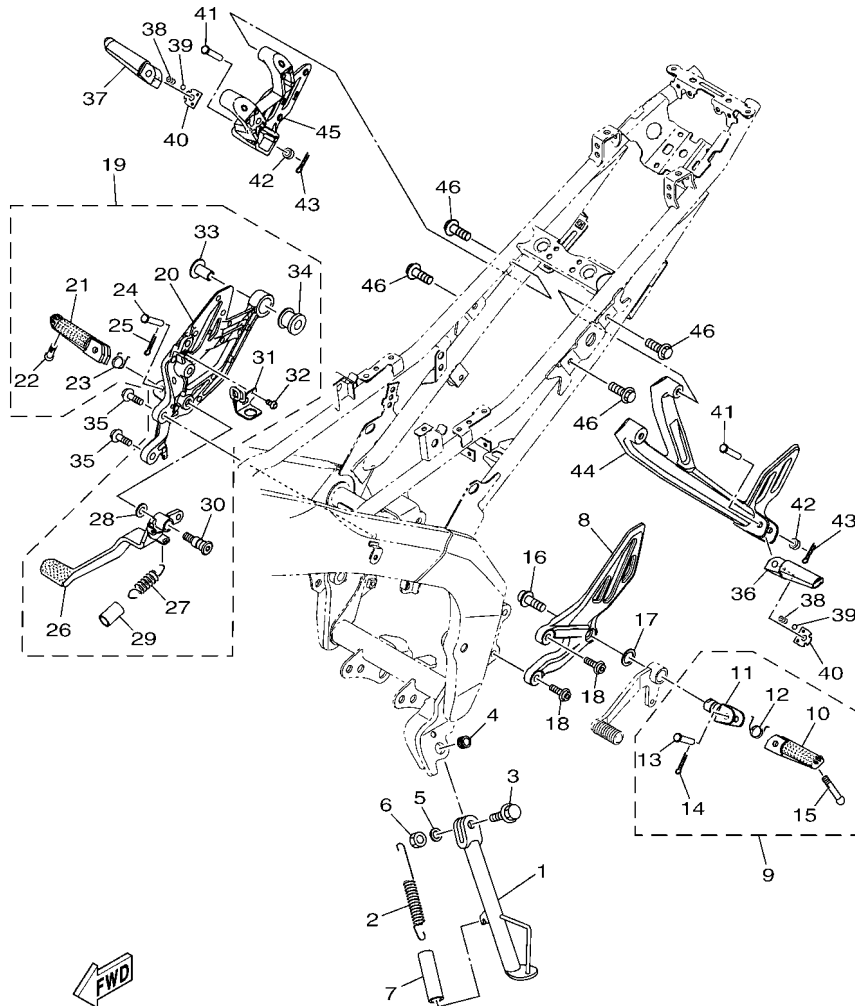


FIG. 30 FRONT MASTER CYLINDER

REF. NO.	PART NO.	DESCRIPTION	B2S1				REMARKS
1	BK6-F5872-00	HOSE, BRAKE 1	1				
2	45P-F583T-01	MASTER CYLINDER ASSY	1				
3	5P0-W0041-00	.CYLINDER KIT, MASTER	1				
4	3RW-F5854-00	.DIAPHRAGM, RESERVOIR	1				
5	3C1-F5852-00	.CAP, RESERVOIR	1				
6	36Y-2589H-00	.SCREW	2				
7	3RW-F5867-00	.BRACKET, MASTER CYLINDER	1				
8	3C1-F5855-00	.BUSH,DIAPHRAGM	1				
9	38B-H3922-00	.LEVER 2	1				
10	90109-06577	.BOLT	1				
11	95602-06100	.NUT, SELF-LOCKING	1				
12	45P-H3980-00	.FRONT STOP SWITCH ASSY	1				
13	90338-09803	PLUG	2				
14	95027-06025	BOLT, FLANGE	2				
15	90401-10812	BOLT, UNION	2				
16	90201-10118	WASHER, PLATE	4				
17	BK6-F5886-00	HOLDER, BRAKE HOSE	1				
18	95027-06010	BOLT, FLANGE	2				
19	BK6-F5876-00	HOLDER, BRAKE HOSE 2	1				
20	3AY-H3936-00	BAND, SWITCH CORD	1				
21	BK6-F5887-00	HOLDER, BRAKE HOSE	1				

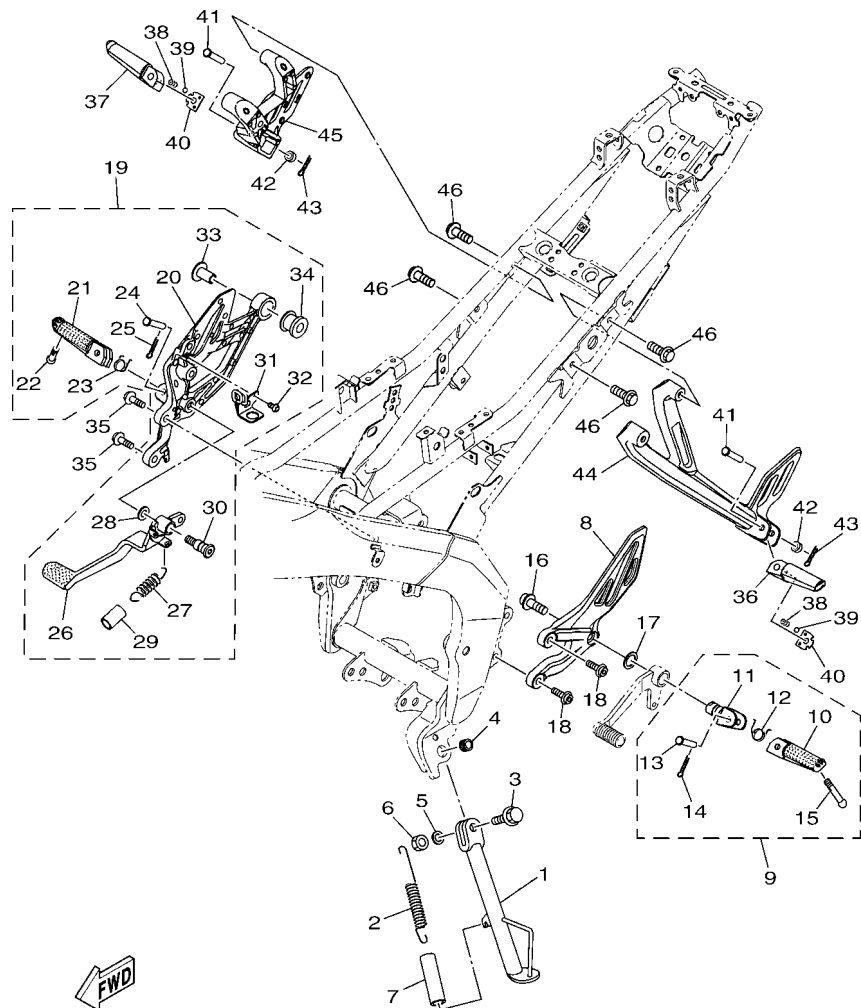
FIG. 31 STAND & FOOTREST



B2S1440-T310

REF. NO.	PART NO.	DESCRIPTION	B2S1				REMARKS
1	BK6-F7311-00	STAND, SIDE	1				
2	90506-28800	SPRING, TENSION	1				
3	90105-10888	BOLT, FLANGE	1				
4	90387-10003	COLLAR	1				
5	92902-10600	WASHER, PLATE	1				
6	95612-10100	NUT, U	1				
7	90445-21848	HOSE (L70)	1				
8	BK6-F7442-00	BRACKET 2	1				
9	BK6-F7410-00	FRONT FOOTREST ASSY (LEFT)	1				
10	20P-F7451-00	.FOOTREST	1				
11	5BP-F7411-00	.FOOTREST 1	1				
12	90508-183B9	.SPRING, TORSION	1				
13	91701-08035	.PIN	1				
14	91401-25015	.PIN, COTTER	1				
15	90109-086F8	.BOLT	1				
16	90110-10025	BOLT, HEXAGON SOCKET HEAD	1				
17	90201-173U5	WASHER, PLATE	1				
18	90110-08803	BOLT, HEXAGON SOCKET HEAD	2				
19	BK6-F7404-00	FOOTREST ASSY. 2	1				
20	BK6-F7443-00	.BRACKET 3	1				
21	20P-F7461-00	.FOOTREST	1				
22	90109-086F8	.BOLT	1				
23	90508-184B0	.SPRING, TORSION	1				
24	90240-08145	.PIN, CLEVIS	1				
25	91401-25015	.PIN, COTTER	1				
26	BK7-F7211-00	.PEDAL, BRAKE	1				
27	90506-26807	.SPRING, TENSION	1				

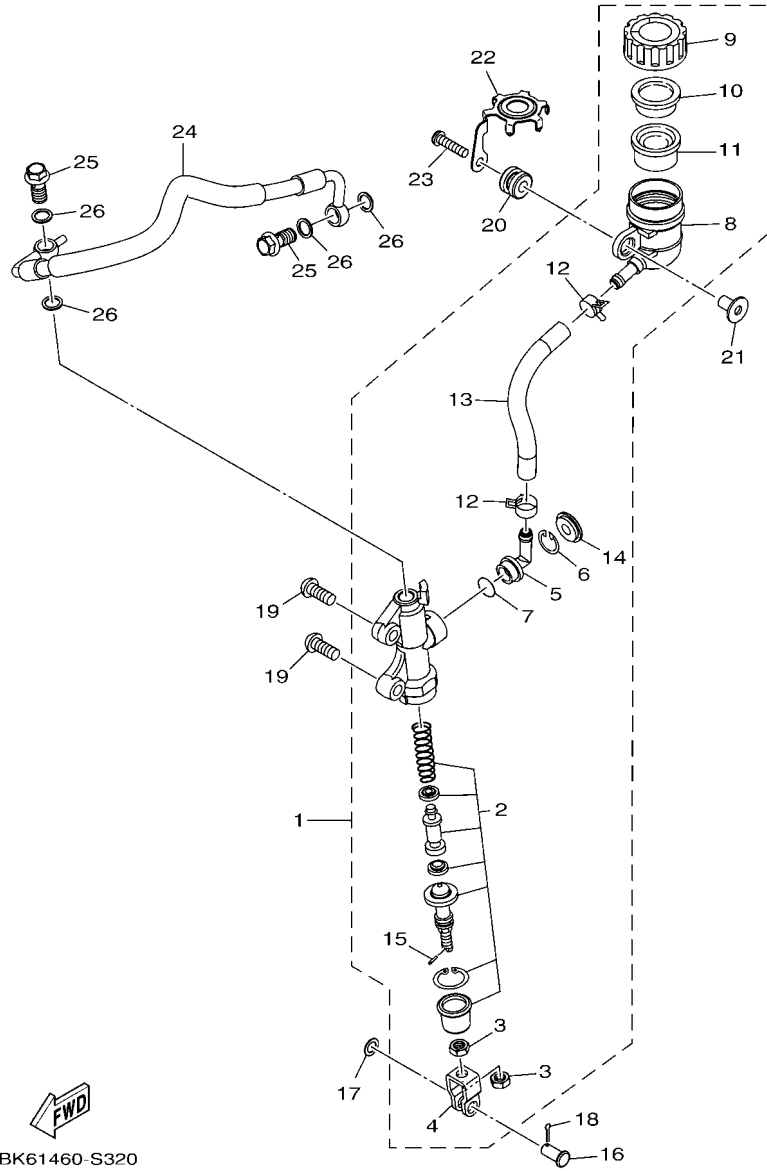
FIG. 31 STAND & FOOTREST



B2S1440-T310

REF. NO.	PART NO.	DESCRIPTION	B2S1				REMARKS
28	90201-10021	.WASHER, PLATE	1				
29	90445-19807	.HOSE	1				
30	45P-F7261-00	.SHAFT	1				
31	BK6-F144G-00	.STAY, STOP SWITCH	1				
32	92012-06010	.BOLT, BUTTON HEAD	1				
33	90387-08842	.COLLAR	1				
34	BK6-E4747-00	.DAMPER, MUFFLER	1				
35	90110-08803	BOLT, HEXAGON SOCKET HEAD	2				
36	45P-F7431-00	FOOTREST, REAR 1	1				
37	45P-F7441-00	FOOTREST, REAR 2	1				
38	90501-12743	SPRING, COMPRESSION	2				
39	93501-04830	BALL	2				
40	1WD-F7437-00	WASHER, SPECIAL	2				
41	91701-08042	PIN	2				
42	B2S-F7473-00	DAMPER	2				
43	91401-25015	PIN, COTTER	2				
44	BK6-F741L-00	BRACKET 4	1				
45	BK6-F742L-00	BRACKET 5	1				
46	90105-08180	BOLT, FLANGE	4				

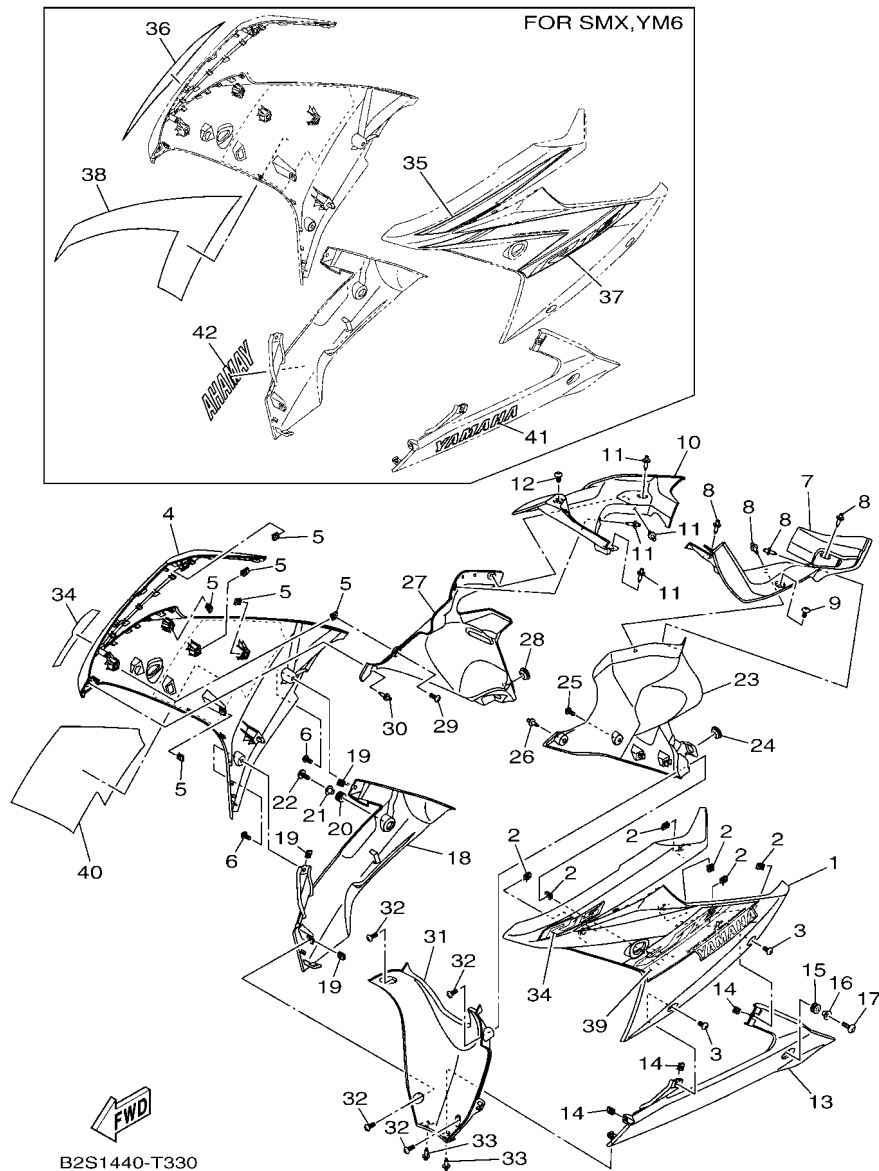
FIG. 32 REAR MASTER CYLINDER




BK61460-S320

REF. NO.	PART NO.	DESCRIPTION	B2S1				REMARKS
1	BK6-F580E-00	REAR MASTER CYLINDER ASSY	1				
2	B97-F5808-00	.CYLINDER KIT, MASTER	1				
3	95302-08700	.NUT, HEXAGON	2				
4	50C-F7222-00	.JOINT	1				
5	50C-F582A-50	.JOINT	1				
6	50C-F5866-00	.CIRCLIP	1				
7	93210-15620	.O-RING	1				
8	50C-F5894-11	.TANK, RESERVOIR	1				
9	BK6-F5852-00	.CAP, RESERVOIR	1				
10	50C-F5855-00	.BUSH,DIAPHRAGM	1				
11	2VN-F5854-00	.DIAPHRAGM, RESERVOIR	1				
12	90467-12085	.CLIP	2				
13	BK6-F5895-00	.HOSE, RESERVOIR	1				
14	50C-F589A-00	.COVER, DUST	1				
15	5BU-27234-00	.PIN, BRAKE ROD	1				
16	90240-08005	PIN, CLEVIS	1				
17	90201-08066	WASHER, PLATE	1				
18	91401-20012	PIN, COTTER	1				
19	92012-08020	BOLT, BUTTON HEAD	2				
20	55C-F4742-00	GROMMET	1				
21	55C-F6259-00	COLLAR	1				
22	50C-F5888-00	COVER, RESERVOIR TANK	1				
23	98507-06025	SCREW, PAN HEAD	1				
24	BK6-F5873-00	HOSE, BRAKE 2	1				
25	90401-10812	BOLT, UNION	2				
26	90201-10118	WASHER, PLATE	4				

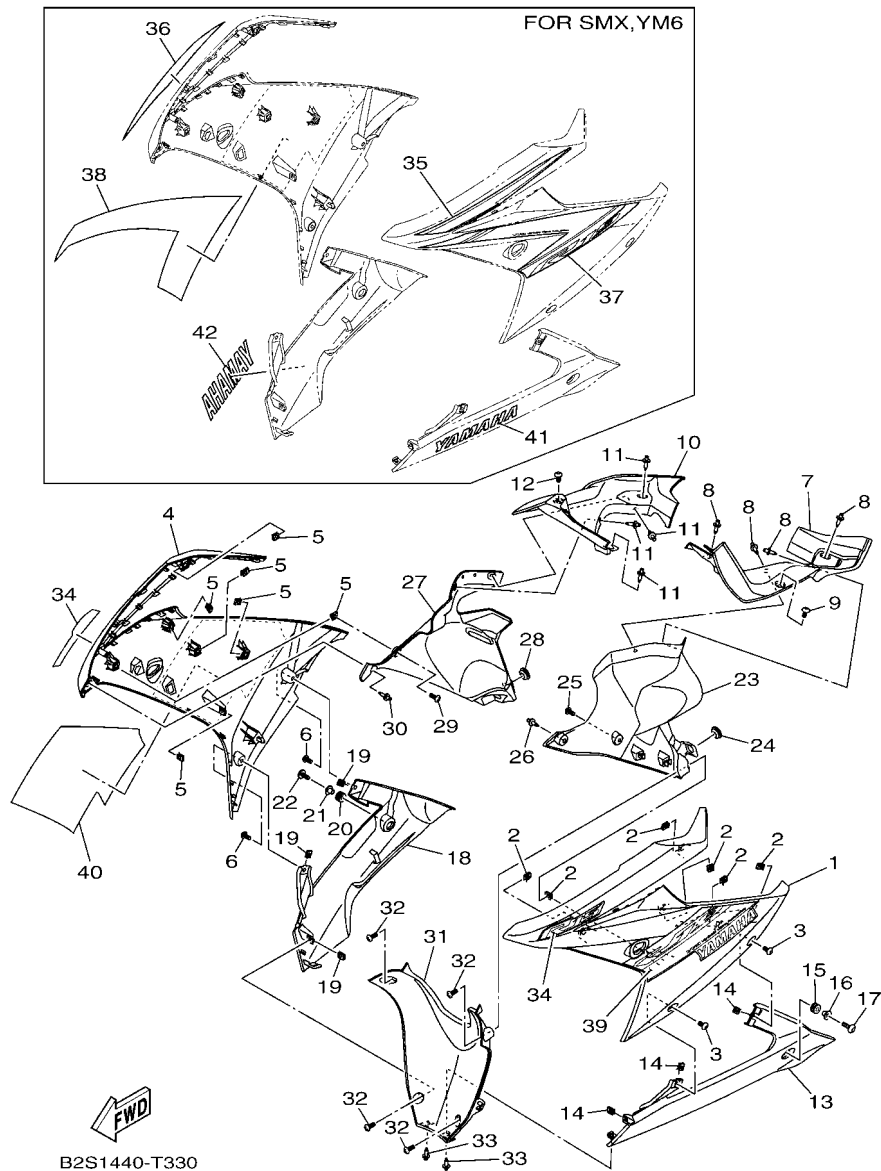
FIG. 33 LEG SHIELD



B2S1440-T330

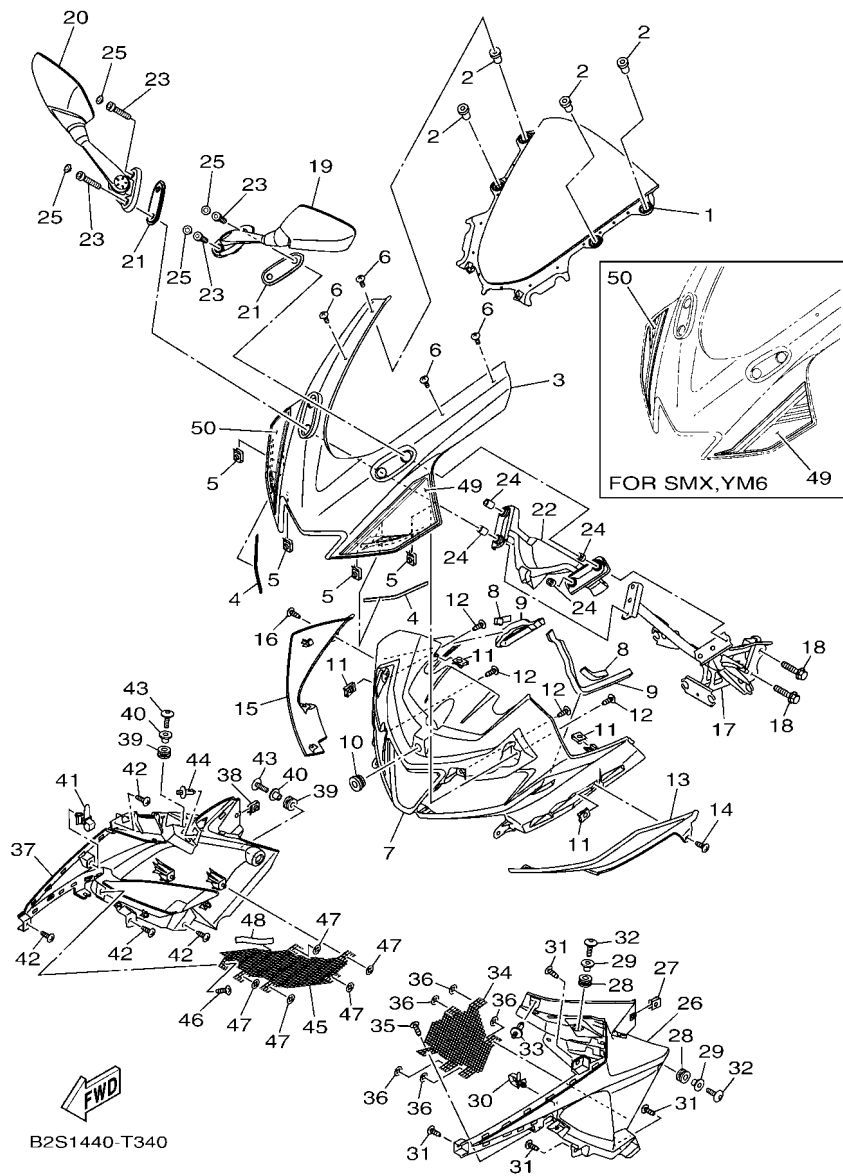
REF. NO.	PART NO.	DESCRIPTION	B2S1	REMARKS
1	BK6-F835U-00-P0	PANEL 1	1	UR FOR DPBMC
	BK6-F835U-00-P3	PANEL 1	1	UR FOR SMX
	BK6-F835U-00-P4	PANEL 1	1	UR FOR YM6
2	90183-05807	NUT, SPRING	6	
3	90160-05812	SCREW, ROUND TAPPING	2	
4	BK6-F835V-00-P0	PANEL 2	1	UR FOR DPBMC
	BK6-F835V-00-P3	PANEL 2	1	UR FOR SMX
	BK6-F835V-00-P4	PANEL 2	1	UR FOR YM6
5	90183-05807	NUT, SPRING	6	
6	90160-05812	SCREW, ROUND TAPPING	2	
7	BK6-F837L-00	PANEL, CONSOLE 1	1	
8	90269-06816	RIVET	4	
9	90160-05812	SCREW, ROUND TAPPING	1	
10	BK6-F837M-00	PANEL, CONSOLE 2	1	
11	90269-06816	RIVET	4	
12	90160-05812	SCREW, ROUND TAPPING	1	
13	BK6-F8385-00-P1	COVER, UNDER	1	SMX
14	90183-05807	NUT, SPRING	3	
15	90480-12808	GROMMET	1	
16	90387-06899	COLLAR	1	
17	90111-06117	BOLT,HEX. SOCKET BUTTON	1	
18	BK6-F8395-00-P1	COVER, UNDER 2	1	SMX
19	90183-05807	NUT, SPRING	3	
20	90480-12808	GROMMET	1	
21	90387-06899	COLLAR	1	
22	90111-06117	BOLT,HEX. SOCKET BUTTON	1	
23	BK6-F836K-00	PANEL, INNER 1	1	

FIG. 33 LEG SHIELD



REF. NO.	PART NO.	DESCRIPTION	B2S1				REMARKS
24	90480-01559	GROMMET	1				
25	97707-50016	SCREW, TRUSS HEAD TAPPING	1				
26	90269-06816	RIVET	1				
27	BK6-F836L-00	PANEL, INNER 2	1				
28	90480-01559	GROMMET	1				
29	97707-50016	SCREW, TRUSS HEAD TAPPING	1				
30	90269-06816	RIVET	1				
31	BK6-F836M-00	PANEL, INNER 3	1				
32	97707-50016	SCREW, TRUSS HEAD TAPPING	4				
33	90269-06816	RIVET	2				
34	B2S-F8398-00	GRAPHIC 5	2				FOR DPBMC
35	B2S-F8398-10	GRAPHIC 5	1				UR FOR SMX
	B2S-F8398-20	GRAPHIC 5	1				UR FOR YM6
36	B2S-F8399-10	GRAPHIC 6	1				UR FOR SMX
	B2S-F8399-20	GRAPHIC 6	1				UR FOR YM6
37	B2S-F839A-10	GRAPHIC 7	1				UR FOR SMX
	B2S-F839A-20	GRAPHIC 7	1				UR FOR YM6
38	B2S-F839E-10	GRAPHIC 8	1				UR FOR SMX
	B2S-F839E-20	GRAPHIC 8	1				UR FOR YM6
39	B2S-F839F-00	GRAPHIC 9	1				FOR DPBMC
40	B2S-F839G-00	GRAPHIC 10	1				FOR DPBMC
41	99237-00180	EMBLEM, YAMAHA	1				UR FOR SMX
	99231-00180	EMBLEM, YAMAHA	1				UR FOR YM6
42	99237-00180	EMBLEM, YAMAHA	1				UR FOR SMX
	99231-00180	EMBLEM, YAMAHA	1				UR FOR YM6

FIG. 34 WINDSHIELD



REF. NO.	PART NO.	DESCRIPTION	B2S1	REMARKS
1	BK6-F8381-00	WINDSHIELD	1	
2	90179-05849	NUT	4	
3	BK6-F8351-00-P3	BODY, COWLING	1	SMX
4	90520-02838	DAMPER, PLATE	2	
5	90183-05807	NUT, SPRING	4	
6	90150-05023	SCREW, ROUND HEAD	4	
7	BK6-F835G-00	BODY, FRONT UPPER 1	1	
8	90520-10840	DAMPER, PLATE	2	
9	90520-10841	DAMPER, PLATE	2	
10	90480-13398	GROMMET	1	
11	90183-05807	NUT, SPRING	4	
12	97702-50016	SCREW, TAPPING	4	
13	BK6-F172G-00-P0	PANEL 3	1	UR FOR DPBMC
	BK6-F172G-00-P1	PANEL 3	1	UR SMX FOR YM6
	BK6-F172G-00-P3	PANEL 3	1	UR MBL2 FOR SMX
14	97702-50012	SCREW, TAPPING	1	
15	BK6-F172H-00-P0	PANEL 4	1	UR FOR DPBMC
	BK6-F172H-00-P1	PANEL 4	1	UR SMX FOR YM6
	BK6-F172H-00-P3	PANEL 4	1	UR MBL2 FOR SMX
16	97702-50012	SCREW, TAPPING	1	
17	BK6-F8356-00	STAY 1	1	
18	90105-08002	BOLT, FLANGE	2	
19	BK7-F6280-00	REAR VIEW MIRROR ASSY (LEFT)	1	
20	BK7-F6290-00	REAR VIEW MIRROR ASSY (RIGHT)	1	
21	BK6-F8483-00	PLATE, RUBBER 1	2	
22	BK6-F8484-00	PLATE, RUBBER 2	1	
23	91317-06030	BOLT, HEX. SOCKET HEAD	4	

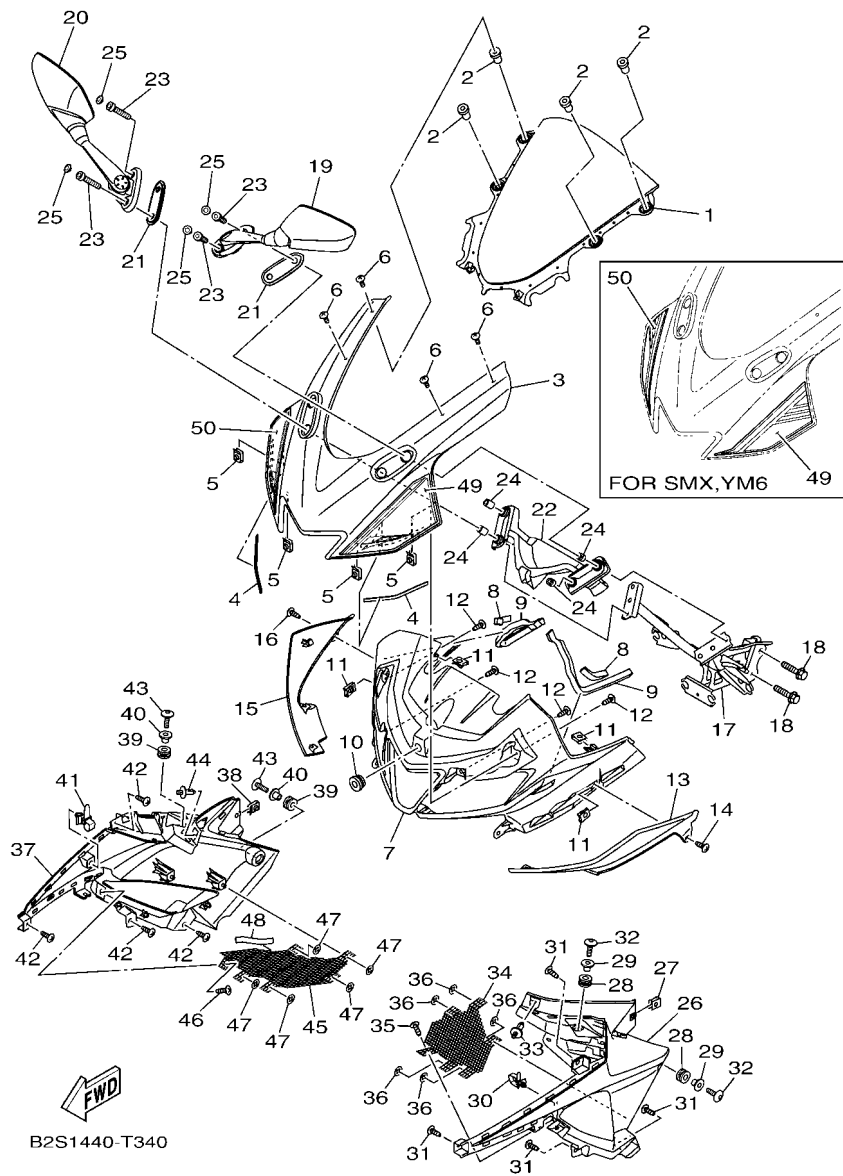
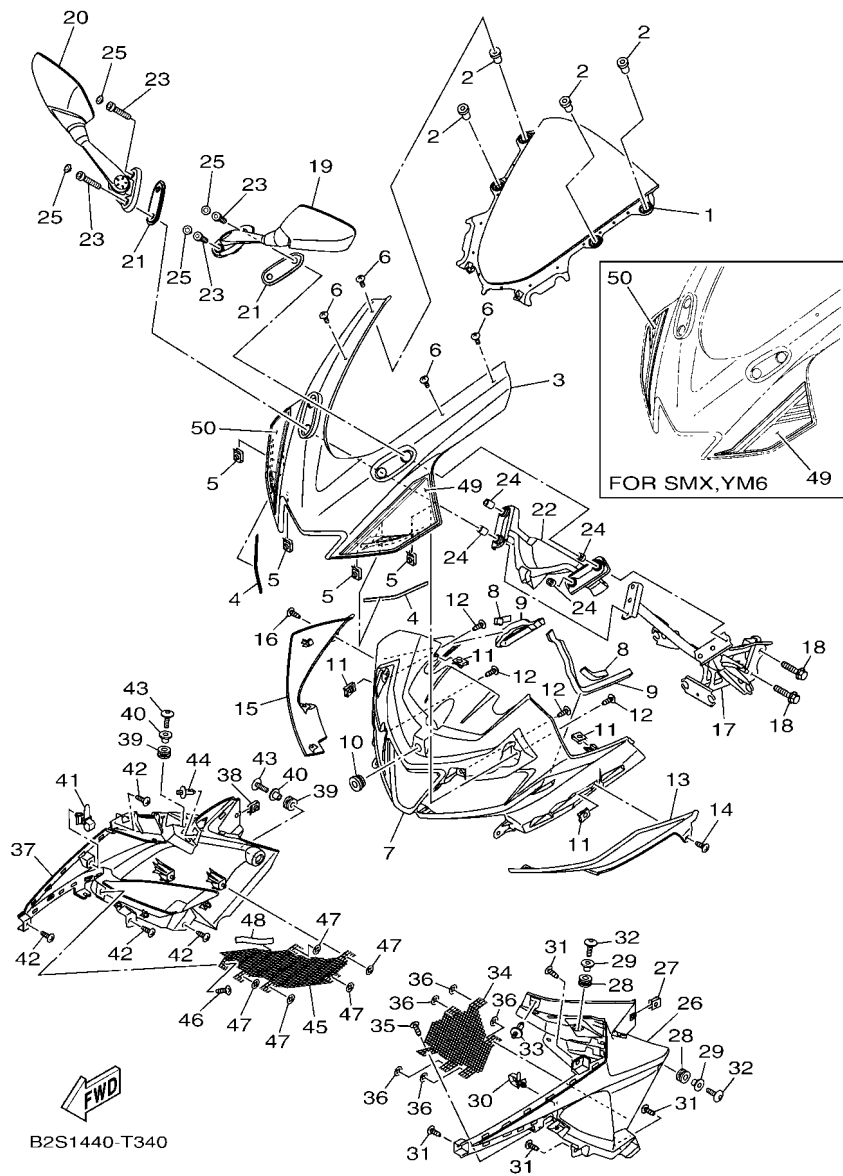


FIG. 34 WINDSHIELD

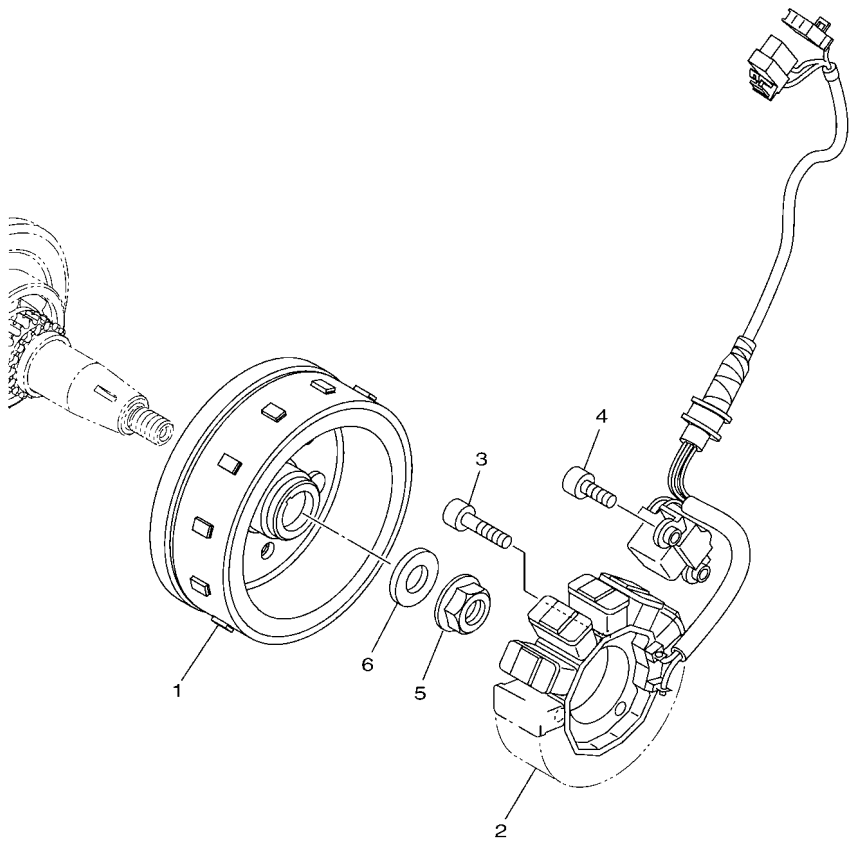
REF. NO.	PART NO.	DESCRIPTION	B2S1	REMARKS
24	90387-06131	COLLAR	4	
25	20P-F3469-00	CAP, BOLT	4	
26	BK6-F117V-00	COVER 7	1	
27	90183-05807	NUT, SPRING	1	
28	90480-12808	GROMMET	2	
29	90387-06899	COLLAR	2	
30	90464-12036	CLAMP	1	
31	97702-50016	SCREW, TAPPING	4	
32	90111-06117	BOLT, HEX. SOCKET BUTTON	2	
33	90269-06816	RIVET	1	
34	BK6-F837V-01	GRILL, AIR OUTLET 1	1	
35	97702-50016	SCREW, TAPPING	1	
36	90183-05067	NUT, SPRING	5	
37	BK6-F117W-00	COVER 8	1	
38	90183-05807	NUT, SPRING	1	
39	90480-12808	GROMMET	2	
40	90387-06899	COLLAR	2	
41	90464-12036	CLAMP	1	
42	97702-50016	SCREW, TAPPING	4	
43	90111-06117	BOLT, HEX. SOCKET BUTTON	2	
44	90269-06816	RIVET	1	
45	BK6-F837W-01	GRILL, AIR OUTLET 2	1	
46	97702-50016	SCREW, TAPPING	1	
47	90183-05067	NUT, SPRING	5	
48	1WD-F1278-00	MOLD	1	
49	B2S-F8393-00	GRAPHIC 3	1	UR FOR DPBMC
	B2S-F8393-10	GRAPHIC 3	1	UR FOR SMX

FIG. 34 WINDSHIELD



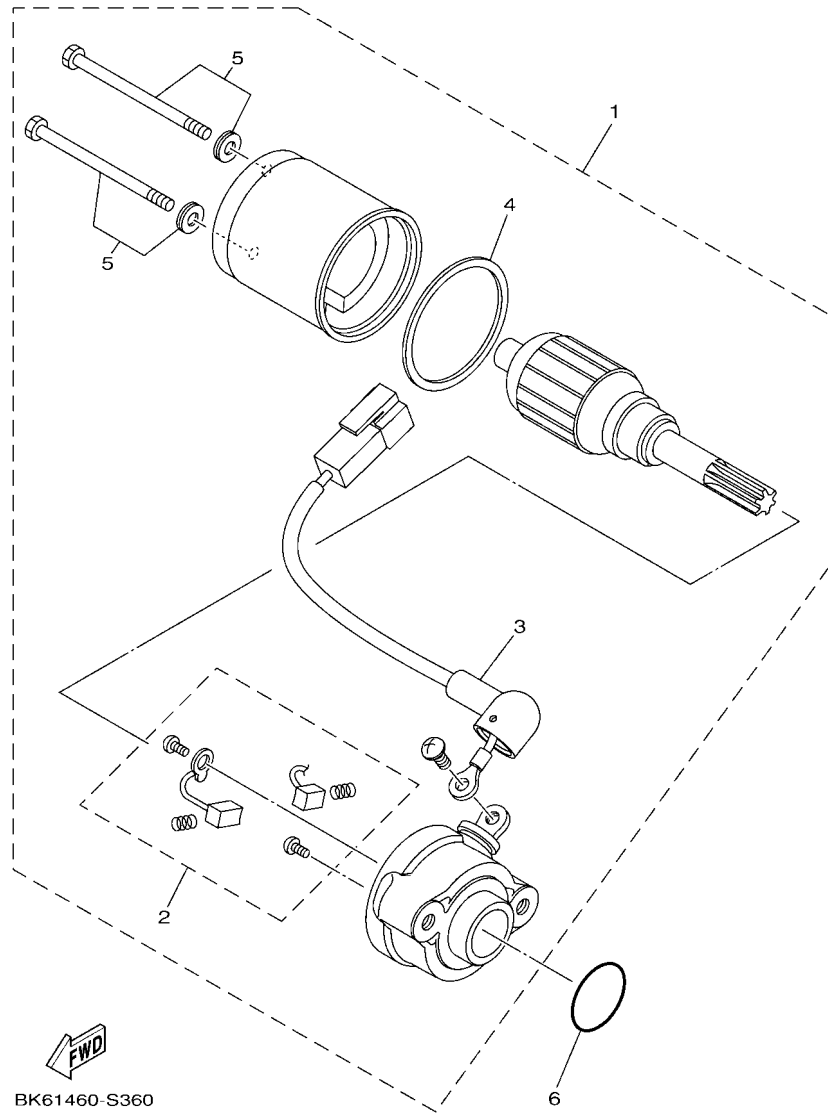
REF. NO.	PART NO.	DESCRIPTION	B2S1				REMARKS
49	B2S-F8393-20	GRAPHIC 3	1				UR FOR YM6
50	B2S-F8394-00	GRAPHIC 4	1				UR FOR DPBMC
	B2S-F8394-10	GRAPHIC 4	1				UR FOR SMX
	B2S-F8394-20	GRAPHIC 4	1				UR FOR YM6

FIG. 35 GENERATOR



REF. NO.	PART NO.	DESCRIPTION	B2S1				REMARKS
1	2PV-H1450-00	ROTOR ASSY	1				
2	BK6-H1410-02	STATOR ASSY	1				
3	91312-06025	BOLT, HEXAGON SOCKET HEAD	3				
4	91312-06016	BOLT, HEXAGON SOCKET HEAD	2				
5	95702-12500	NUT, FLANGE	1				
6	90201-12019	WASHER, PLATE	1				

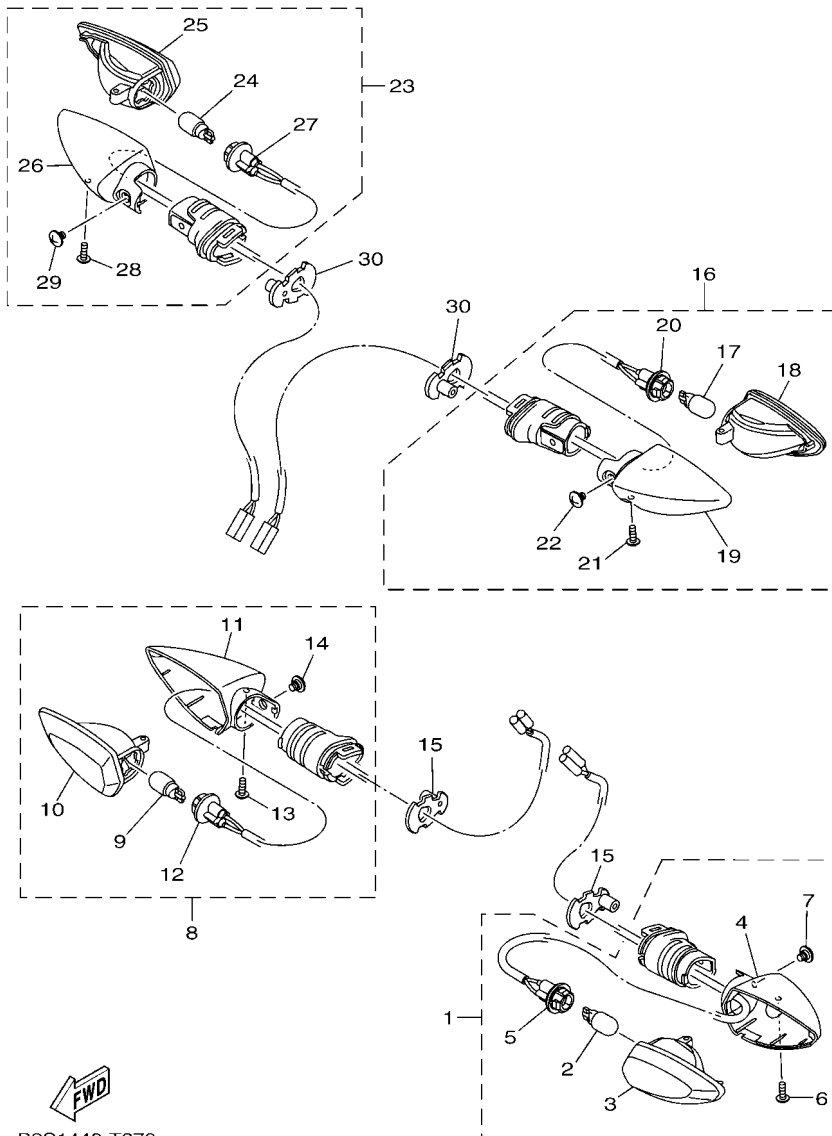

BK61460-S350



BK61460-S360

FIG. 36 STARTING MOTOR

REF. NO.	PART NO.	DESCRIPTION	B2S1				REMARKS
1	BK6-H1800-00	STARTING MOTOR ASSY	1				
2	2PH-H1801-10	.BRUSH SET	1				
3	1FD-H183G-00	.CORD COMP.	1				
4	5D9-H1861-00	.GASKET	1				
5	5D9-H1828-00	.SCREW SET	2				
6	93210-26805	O-RING	1				

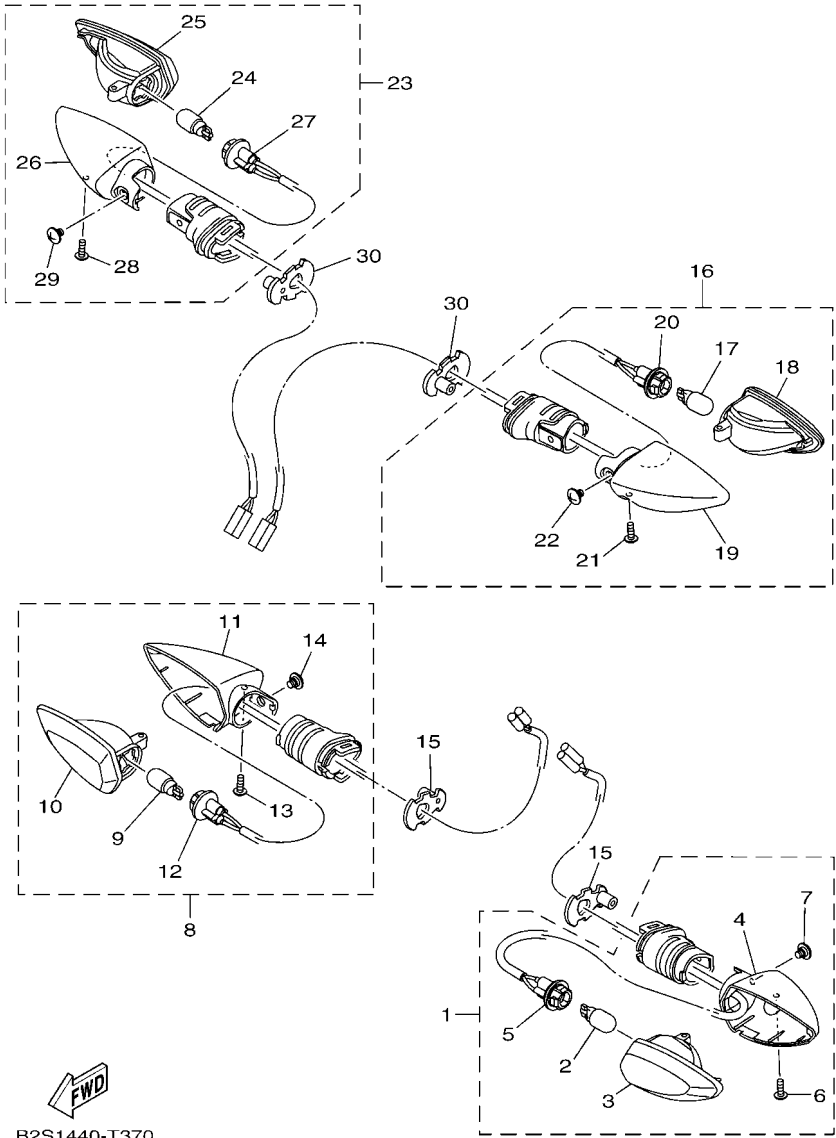


B2S1440-T370

FIG. 37 FLASHER LIGHT

REF. NO.	PART NO.	DESCRIPTION	B2S1				REMARKS
1	B2S-H3310-00	FRONT FLASHER LIGHT ASSY 1	1				
2	55D-H3311-00	.BULB, FLASHER (12V-10W)	1				
3	55D-H334A-00	.LENS COMP 2	1				
4	55D-H332M-00	.BODY 2	1				
5	B2S-H331E-00	.CORD ASSY	1				
6	55D-H3333-00	.SCREW, LENS FITTING	1				
7	55D-H3358-00	.SCREW, SPECIAL	1				
8	B2S-H3320-00	FRONT FLASHER LIGHT ASSY 2	1				
9	55D-H3311-00	.BULB, FLASHER (12V-10W)	1				
10	55D-H333A-00	.LENS COMP 1	1				
11	55D-H3323-00	.BODY	1				
12	B2S-H332E-00	.CORD ASSY	1				
13	55D-H3333-00	.SCREW, LENS FITTING	1				
14	55D-H3358-00	.SCREW, SPECIAL	1				
15	1VP-H3318-00	STAY, FLASHER 1	2				
16	B2S-H3330-00	REAR FLASHER LIGHT ASSY 1	1				
17	55D-H3311-00	.BULB, FLASHER (12V-10W)	1				
18	55D-H333A-00	.LENS COMP 1	1				
19	55D-H3323-00	.BODY	1				
20	B2S-H333E-00	.CORD ASSY	1				
21	55D-H3333-00	.SCREW, LENS FITTING	1				
22	55D-H3358-00	.SCREW, SPECIAL	1				
23	B2S-H3340-00	REAR FLASHER LIGHT ASSY 2	1				
24	55D-H3311-00	.BULB, FLASHER (12V-10W)	1				
25	55D-H334A-00	.LENS COMP 2	1				
26	55D-H332M-00	.BODY 2	1				
27	B2S-H334E-00	.CORD ASSY	1				

FIG. 37 FLASHER LIGHT

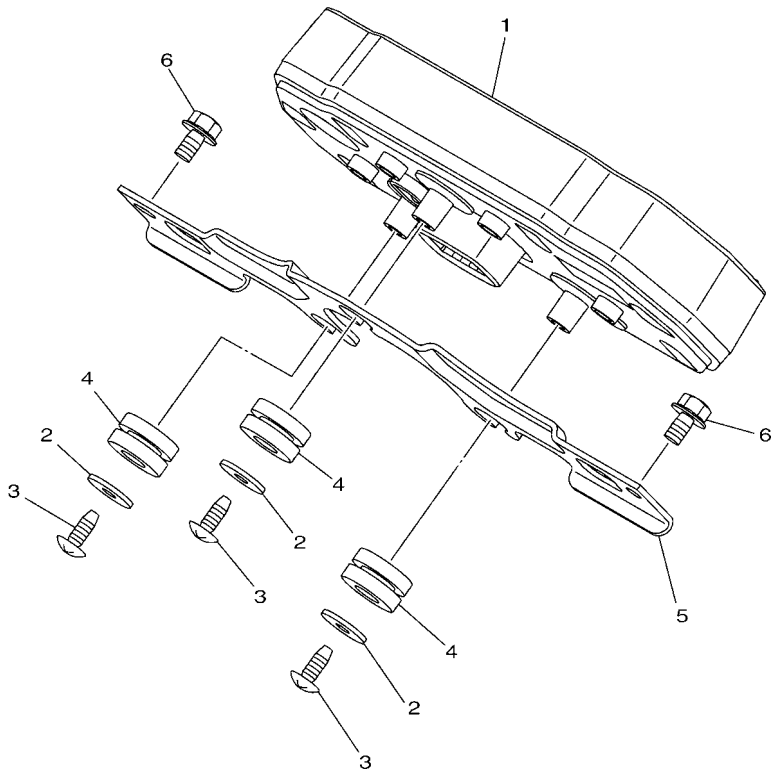


B2S1440-T370

REF. NO.	PART NO.	DESCRIPTION	B2S1				REMARKS
28	55D-H3333-00	.SCREW, LENS FITTING	1				
29	55D-H3358-00	.SCREW, SPECIAL	1				
30	1VP-H3318-00	STAY, FLASHER 1	2				
<hr/>							
<hr/>							
<hr/>							
<hr/>							
<hr/>							
<hr/>							
<hr/>							
<hr/>							
<hr/>							
<hr/>							
<hr/>							
<hr/>							
<hr/>							

FIG. 38 METER

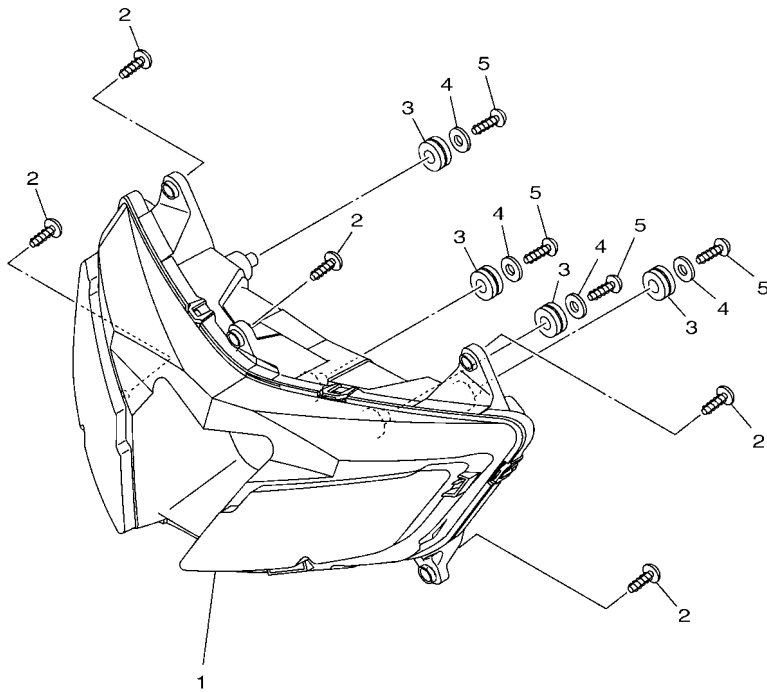
REF. NO.	PART NO.	DESCRIPTION	B2S1				REMARKS
1	BK6-H3500-00	METER ASSY	1				
2	90201-05036	WASHER, PLATE	3				
3	97702-50014	SCREW, TAPPING	3				
4	90480-14004	GROMMET	3				
5	BK6-H3519-00	BRACKET, METER	1				
6	95D02-06010	BOLT, FLANGE DEEP RECESS	2				



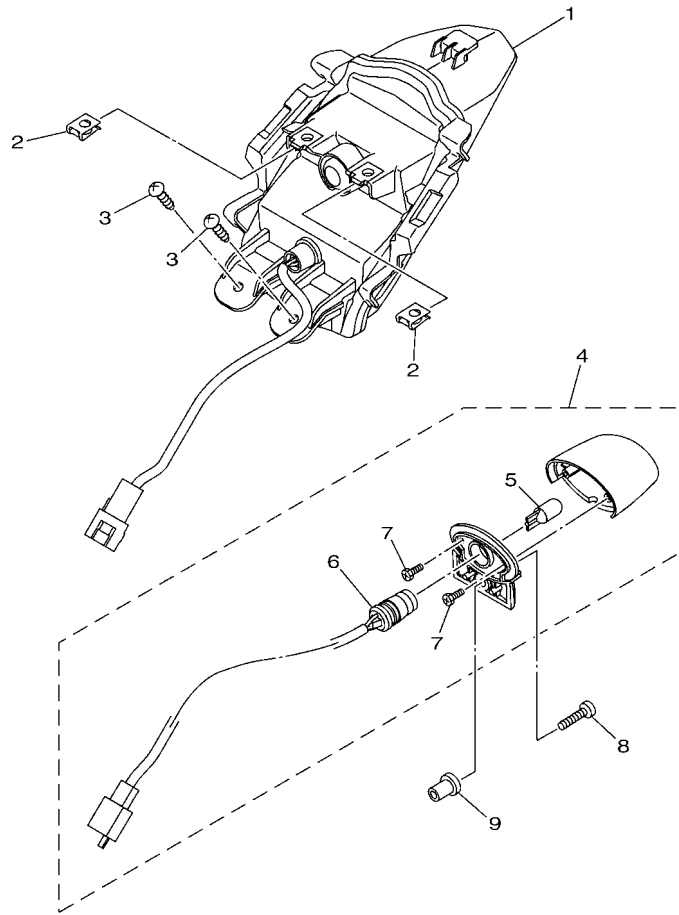
 BK61460-S380

FIG. 39 HEADLIGHT

REF. NO.	PART NO.	DESCRIPTION	B2S1				REMARKS
1	BK6-H4300-00	HEADLIGHT ASSY	1				
2	90160-05012	SCREW, ROUND TAPPING	5				
3	90480-14229	GROMMET	4				
4	90201-05036	WASHER, PLATE	4				
5	97702-50016	SCREW, TAPPING	4				



BK61460-S390



BK63460-T400

FIG. 40 TAILLIGHT

REF. NO.	PART NO.	DESCRIPTION	B2S1				REMARKS
1	BK7-H4710-00	TAILLIGHT UNIT ASSY	1				
2	90183-05807	NUT, SPRING	2				
3	97702-50016	SCREW, TAPPING	2				
4	BK6-H4740-00	LICENCE LIGHT ASSY	1				
5	1WD-H4744-00	.BULB (12V-5W)	1				
6	BK6-H4547-00	.CORD, LICENCE LIGHT	1				
7	1CK-H4726-00	.SCREW	2				
8	98907-04020	SCREW, BIND	1				
9	90179-04003	NUT	1				

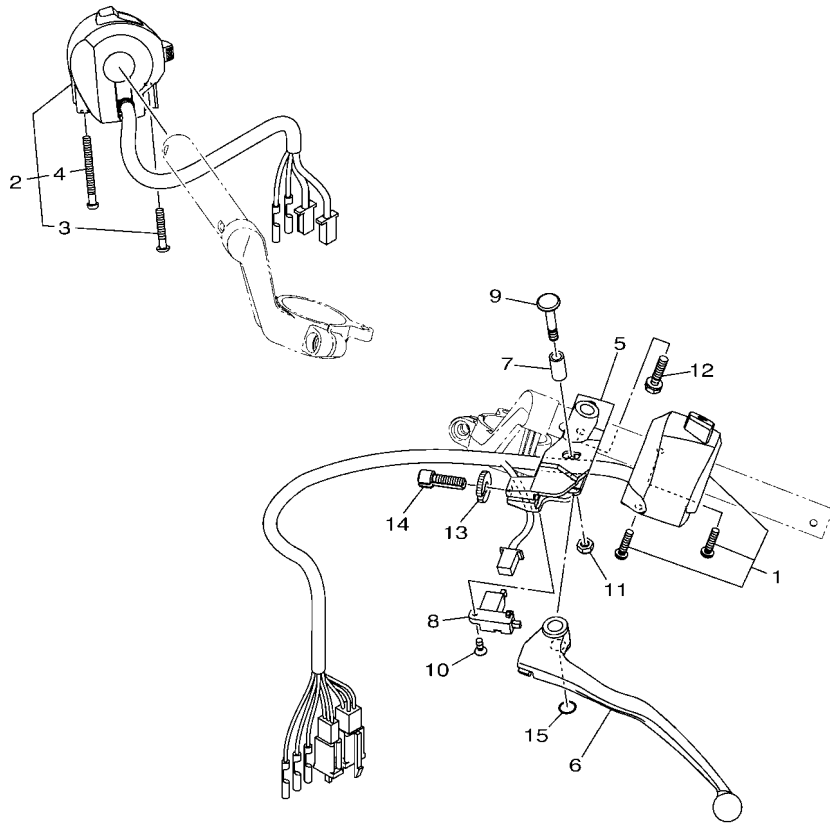


FIG. 41 HANDLE SWITCH & LEVER

REF. NO.	PART NO.	DESCRIPTION	B2S1				REMARKS
1	BK6-H3972-00	SWITCH, HANDLE 4	1				
2	BK6-H3963-00	SWITCH, HANDLE 3	1				
3	45P-H2133-00	.SCREW, FITTING	1				
4	45P-H395W-00	.SCREW, SWITCH FITTING	1				
5	3KA-H2911-00	HOLDER, LEVER 1	1				
6	2TP-H3912-00	LEVER 1	1				
7	3KA-H3913-00	COLLAR, LEVER 1	1				
8	5BP-H2917-00	SWITCH	1				
9	3KA-H3945-00	BOLT, LEVER	1				
10	90151-03005	SCREW, COUNTERSUNK	1				
11	95602-06100	NUT, SELF-LOCKING	1				
12	97507-06525	BOLT, WITH WASHER	1				
13	90179-08148	NUT	1				
14	90123-08046	BOLT	1				
15	93210-108H5	O-RING	1				



BK61460-S410

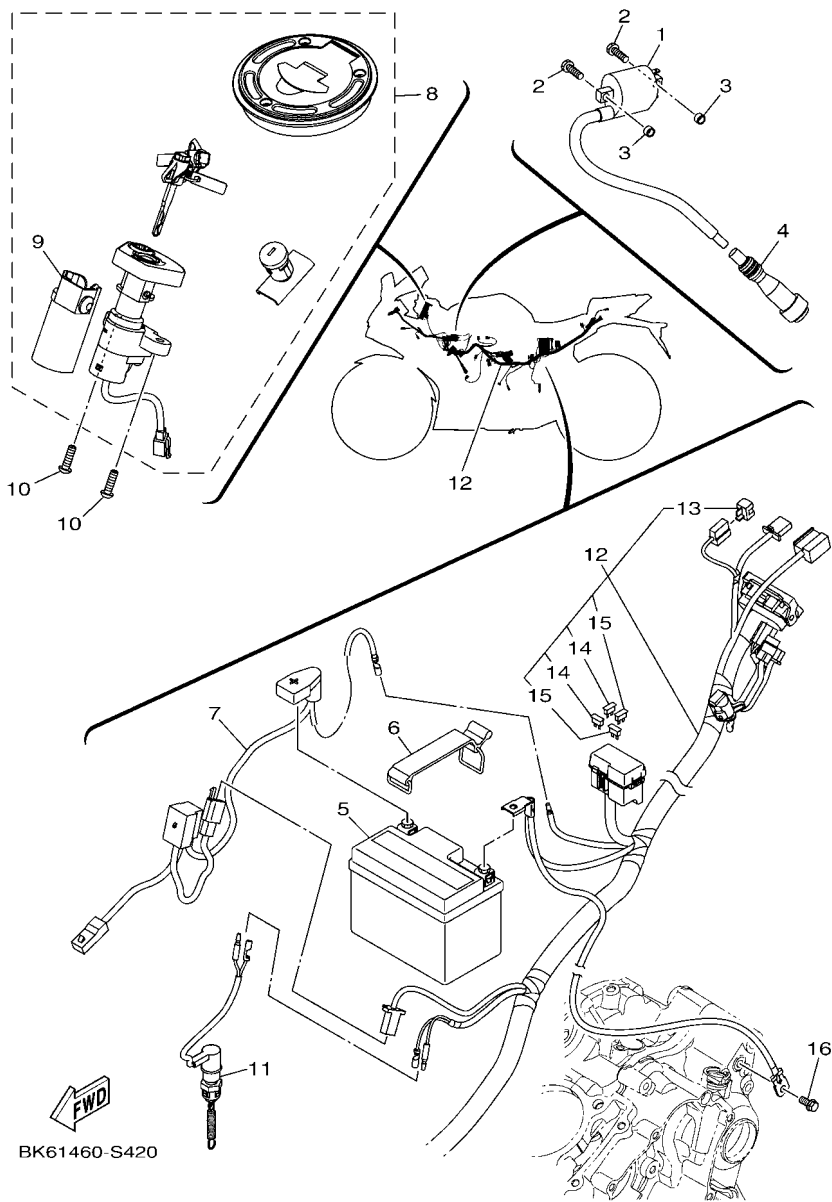
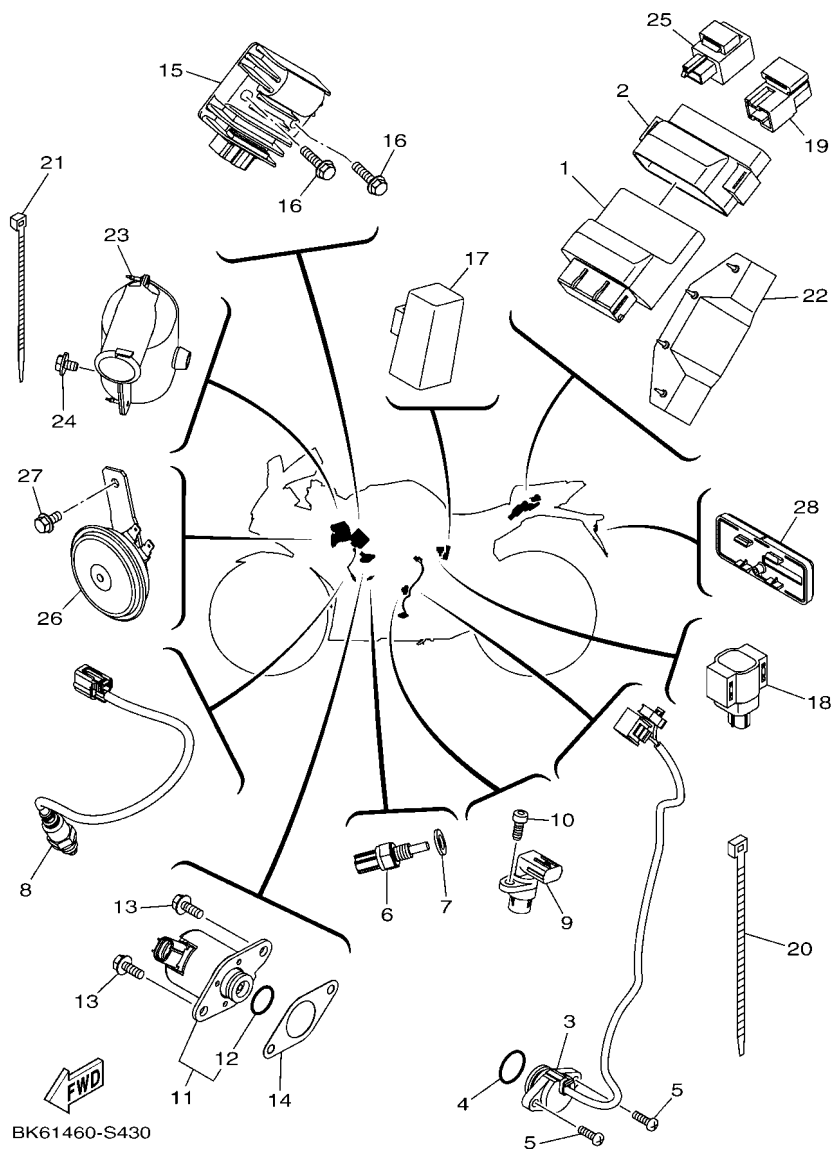


FIG. 42 ELECTRICAL 1

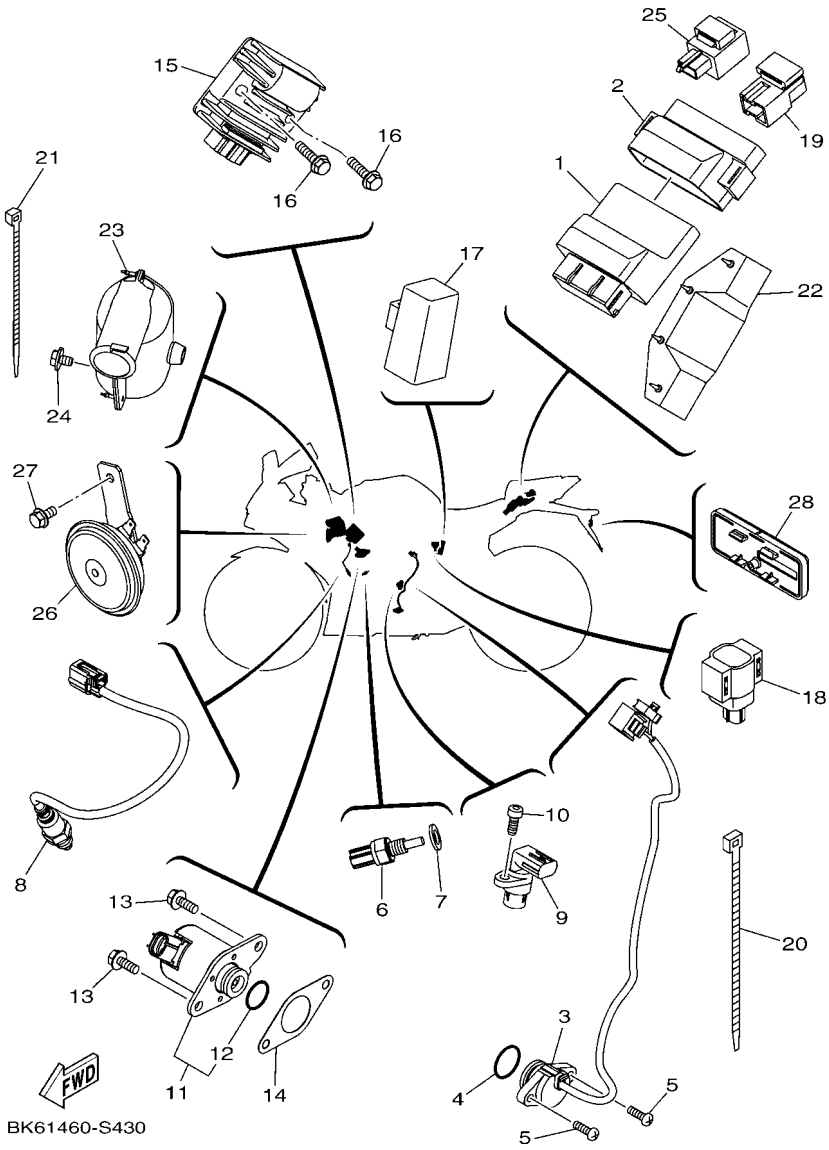
REF. NO.	PART NO.	DESCRIPTION	B2S1				REMARKS
1	2UP-H2310-00	IGNITION COIL ASSY	1				
2	97080-06020	BOLT	2				
3	90387-06M30	COLLAR	2				
4	BK6-H2370-00	PLUG CAP ASSY	1				
5	14D-H2100-10	BATTERY ASSY (GS GZ4V)	1				UR
	14D-H2100-00	BATTERY ASSY (YUASA YTZ4V)	1				UR
6	3C1-H2131-00	BAND, BATTERY	1				
7	BK6-H2115-00	WIRE, PLUS LEAD	1				
8	BK6-XH250-01	MAIN SW. STRG. LOCK SUB ASSY	1				
9	BK6-H2568-00	.COVER, MAIN SWITCH	1				
10	90111-06177	BOLT,HEX. SOCKET BUTTON	2				
11	BK6-H2530-00	STOP SWITCH ASSY	1				
12	BK6-H2590-00	WIRE HARNESS ASSY	1				
13	3WP-81980-00	.DIODE ASSY	1				
14	B65-H2151-10	.FUSE (15A)	2				
15	B65-H2151-80	.FUSE (2A)	2				
16	95022-06012	BOLT, FLANGE	1				

FIG. 43 ELECTRICAL 2



REF. NO.	PART NO.	DESCRIPTION	B2S1				REMARKS
1	BK6-H591A-00	ENGINE CONTROL UNIT ASSY	1				
2	BK6-H5546-00	BAND	1				
3	BK6-H2540-01	NEUTRAL SWITCH ASSY	1				
4	93210-21801	O-RING	1				
5	98502-05016	SCREW, PAN HEAD	2				
6	54P-H3591-00	THERMO UNIT	1				
7	90430-10804	GASKET	1				
8	2DP-H592A-10	SENSOR, OXYGEN	1				
9	B48-H3755-01	SENSOR, SPEED	1				
10	91312-06014	BOLT, HEXAGON SOCKET HEAD	1				
11	BK6-H6110-00	SOLENOID	1				
12	BK6-H1847-00	.O-RING	1				
13	95D32-06016	BOLT, FLANGE DEEP RECESS	2				
14	BK6-H1861-00	GASKET	1				
15	BK6-H1960-00	RECTIFIER & REGULATOR ASSY	1				
16	95D02-06025	BOLT, FLANGE DEEP RECESS	2				
17	5TP-H1940-00	STARTER RELAY ASSY	1				
18	1PA-H2576-00	SENSOR, LEAN ANGLE	1				
19	BK6-H1950-00	RELAY ASSY	1				
20	90464-50800	CLAMP	6				
21	90464-36800	CLAMP	5				
22	1CK-H2599-01	COVER, CONNECTER	1				
23	20P-H246B-02	COVER 1	1				
24	90119-06054	BOLT, WITH WASHER	1				
25	3XV-83350-21	FLASHER RELAY ASSY	1				
26	BK6-H3371-10	HORN	1				
27	95D32-06012	BOLT, FLANGE DEEP RECESS	1				

FIG. 43 ELECTRICAL 2



REF. NO.	PART NO.	DESCRIPTION	B2S1	REMARKS
28	55D-H5130-00	REAR REFLECTOR ASSY	1	

NUMERICAL INDEX

PART NO.	REF. NO.	PART NO.	REF. NO.	PART NO.	REF. NO.	PART NO.	REF. NO.	PART NO.	REF. NO.	PART NO.	REF. NO.
52S-12439-00	6 - 2	BK6-E1651-00	2 - 4	BK6-E3585-00	8 - 1	BK6-E6333-00	13 - 14	BK6-F1511-00-P3	18 - 1	BK6-F2210-00	20 - 25
3AH-22222-00	22 - 22	BK6-E1681-00	2 - 6	BK6-E3750-00	8 - 14	BK6-E6337-00	13 - 17	B17-F1568-00	23 - 45	BK6-F2311-00	20 - 18
31A-23125-31	22 - 7	BK6-E2111-00	3 - 1	BK6-E3750-00	8 - 5	3C1-E6344-00	13 - 21	BK6-F160E-00	18 - 20	BK6-F2327-00	17 - 9
	22 - 29	B63-E2113-00	3 - 4	BK6-E3767-00	8 - 13	BK6-E6345-00	13 - 25	BK6-F1611-00	18 - 5	BK6-F247A-00	19 - 29
31A-23149-31	22 - 6	2DP-E2117-00	3 - 6	BK6-E3770-00	8 - 4	BK6-E6351-00	13 - 13	BK6-F1613-00	18 - 15	BK6-F3102-10	22 - 1
	22 - 28	5TL-E2118-00	3 - 5	BK6-E3907-00	23 - 17	BK6-E6352-00	13 - 16	BK6-F1617-00	18 - 13	BK6-F3103-10	22 - 19
3R4-23153-00	22 - 4	54P-E2119-00	3 - 3	54P-E3938-00	8 - 8	3C1-E6356-10	13 - 19	BK6-F1629-01	18 - 10	BK6-F3110-00	22 - 2
	22 - 26	BK6-E2121-00	3 - 2	BK6-E3971-00	23 - 22	1PA-E6357-00	13 - 26	BK6-F162R-00-P2	18 - 9	BK6-F3111-00	22 - 17
4V4-23188-L0	22 - 18	50C-E2126-00	3 - 7	54P-E4137-00	8 - 9	3C1-E6358-00	13 - 18	BK6-F162R-00-P3	18 - 9		22 - 34
	22 - 35	BK6-E2150-00	3 - 8	54P-E4147-00	8 - 6	BK6-E6371-00	13 - 7	BK6-F162R-00-P4	18 - 9	BK6-F3117-00	22 - 14
5VC-23462-00	22 - 38	21C-E2156-00	4 - 1	5CA-E4147-00	8 - 7	BK7-E6380-00	13 - 24	B2S-F1641-00	18 - 27	BK6-F3118-00	22 - 15
5XT-25802-50	28 - 5	5YP-E2157-00	4 - 8	BK6-E4199-00	8 - 2	BK6-E6774-00	13 - 15	BK6-F1650-00	20 - 21	BK6-F3120-00	22 - 20
3JD-25803-50	28 - 6	BK6-E2160-00	3 - 13	BK6-E4411-00	8 - 16	3C1-E7121-00	14 - 7	BK6-F1653-00	18 - 25	BK6-F3126-10	22 - 9
5XT-25827-00	28 - 15	BK6-E2166-00	3 - 9	BK6-E4412-00	8 - 17	5D7-E7131-00	14 - 5	B92-F1668-00	20 - 26		22 - 31
36Y-2589H-00	30 - 6	BK6-E2170-00	4 - 3	BK6-E441J-00	8 - 24	BK6-E7151-00	14 - 2	BK6-F1711-00	19 - 1	BK6-F3141-00	22 - 13
3SP-25919-51	28 - 9	2ND-E2210-20	4 - 16	5TL-E443E-00	8 - 22	BK6-E7161-00	14 - 6	45P-F1717-00	19 - 2		22 - 23
3SP-25924-51	28 - 13	BK6-E2213-00	4 - 17	BK6-E4450-00	8 - 18	3C1-E7211-00	14 - 13		19 - 9	B48-F3144-00	22 - 3
3SP-25926-51	28 - 12	BK6-E2226-00	3 - 11	BK6-E4452-00	8 - 20	BK6-E7221-00	14 - 21	BK6-F171E-00	19 - 21		22 - 25
5BU-27234-00	32 - 15	54P-E2228-00	4 - 14	BK6-E4453-00	8 - 19	BK6-E7231-00	14 - 19	BK6-F171X-00	19 - 23	BK6-F3145-00	22 - 5
3WP-81980-00	42 - 13	B65-E2231-00	4 - 12	BK7-E4613-00	9 - 5	BK6-E7241-00	14 - 18	BK6-F1721-00	19 - 8		22 - 27
3XV-83350-21	43 - 25	BK6-E2241-00	4 - 13	BK6-E4703-00	9 - 1	BK6-E7251-00	14 - 15	BK6-F172G-00-P0	34 - 13	2BU-F3158-00	22 - 11
BK6-E1102-00	1 - 1	BK6-E2256-00	4 - 15	BK6-E4718-00	9 - 2	5D7-E7261-00	14 - 20	BK6-F172G-00-P1	34 - 13	BK6-F3170-00	22 - 10
2DP-E111F-00	4 - 9	BK6-E2279-00	3 - 12	BK6-E4747-00	31 - 34	BK6-E7411-00	14 - 1	BK6-F172G-00-P3	34 - 13	BK6-F3171-00	22 - 8
2DP-E1133-10	1 - 2	BK6-E2280-00	4 - 6	BK6-E4799-00	9 - 3	BK6-E7421-00	14 - 12	BK6-F172H-00-P0	34 - 15		22 - 30
BK6-E1165-00	1 - 8	BK6-E2288-00	4 - 7	2PV-E5113-00	11 - 9	1S7-E7456-00	14 - 29	BK6-F172H-00-P1	34 - 15	31B-F3181-00	22 - 12
BK7-E1166-00	8 - 27	BK6-E2405-00	6 - 8	BK6-E5150-00	10 - 1	3C1-E7471-00	14 - 10	BK6-F172H-00-P3	34 - 15	BK6-F319U-00	22 - 24
BK6-E1169-00	1 - 9	BK6-E2410-00	6 - 1	1S7-E5351-00	7 - 3	38B-E8101-00	16 - 4	BK6-F1731-00-P2	19 - 15	BK6-F330G-00	22 - 21
2DP-E1181-00	1 - 20	BK7-E2422-00	5 - 1	BK6-E5362-00	11 - 17	BK7-E8110-00	16 - 9	BK6-F1731-00-P3	19 - 15	BK6-F332K-00	22 - 32
BK7-E1185-00	5 - 4	2DP-E2428-00	5 - 3	BK6-E5411-00	11 - 1	BK7-E8112-00	16 - 14	BK6-F1731-00-P4	19 - 15	BK6-F3340-00	22 - 36
BK6-E1191-00	1 - 7	BK7-E2443-00	5 - 12	BK6-E5418-00	11 - 10	20P-E8113-00	16 - 10	B2S-F173E-00	19 - 40	BK6-F3357-00	22 - 16
BB8-E1193-00	1 - 15	BK7-E2450-00	5 - 5	BK6-E5421-00	11 - 12	BK7-E8115-00	16 - 11	B2S-F173E-10	19 - 41	BK6-F3393-00	22 - 33
2DP-E1311-10	1 - 24	BK6-E2460-00	6 - 7	BK6-E5441-00	4 - 18	BK6-E8140-00	16 - 1	B2S-F173E-20	19 - 41	4FP-F3411-20	21 - 2
BK6-E132G-00	1 - 13	BK6-E2467-00	6 - 17	BK6-E5451-00	11 - 2	BK6-E8337-00	16 - 3	B2S-F173F-00	19 - 42	4FP-F3412-10	21 - 3
BK6-E1351-00	1 - 25	BK6-E246E-00	6 - 23	BK6-E5461-00	11 - 13	2ND-E8511-00	15 - 4	BK6-F1741-00-P2	19 - 18	5BP-F3416-10	21 - 5
BK6-E1361-00	1 - 16	BK6-E2481-00	6 - 18	B48-E5514-00	12 - 1	2ND-E8512-00	15 - 5	BK6-F1741-00-P3	19 - 18	1PA-F3418-00	21 - 8
BK6-E1362-00	1 - 17	BK6-E2482-00	6 - 20	BK7-E5521-00	12 - 2	2ND-E8513-00	15 - 6	BK6-F1741-00-P4	19 - 18	5VL-F341E-10	21 - 4
BK6-E1400-00	2 - 1	BK6-E2483-00	6 - 4	2PV-E5524-00	12 - 3	1PA-E8531-00	15 - 7	BK6-F176V-00	24 - 5	BK6-F3435-00	21 - 9
BK6-E1412-00	2 - 2	5P0-E2590-00	6 - 11	2TP-E5580-00	12 - 6	BK6-E8540-00	15 - 1	BK6-F1817-00	19 - 28	20P-F3469-00	29 - 5
BK6-E1422-00	2 - 5	5YP-E2671-00	6 - 10	3C1-E6111-00	13 - 1	5TP-E8542-00	15 - 2	BK6-F1871-00	19 - 26		34 - 25
BK7-E1454-00	2 - 21	5YP-E2675-00	6 - 9	54B-E6144-00	13 - 20	BK6-F1110-00	17 - 1	1S7-F1875-01	19 - 27	5BP-F3873-01	21 - 1
21C-E1496-20	2 - 16	BK6-E3300-00	7 - 1	BK6-E6150-00	13 - 5	BK6-F112C-00	17 - 10	BK6-F1946-00	17 - 2	5BP-F3875-00	22 - 37
BK6-E1531-00	2 - 22	2PV-E3324-00	7 - 8	2ND-E6154-00	13 - 6	BK6-F112D-00	17 - 11	BK6-F2110-00	20 - 1	BK6-F4110-00	23 - 1
BK6-E1536-00	2 - 15	3C1-E3327-00	7 - 13	38B-E6193-00	13 - 2	BK6-F117V-00	34 - 26	2PK-F2128-00	20 - 5	BK6-F4129-00-P0	23 - 29
BK6-E1549-00	2 - 7	38B-E3411-00	7 - 4	2ND-E6321-00	13 - 8	BK6-F117W-00	34 - 37	BK6-F2141-00	20 - 6	BK6-F4129-00-P3	23 - 29
BK6-E1557-00	3 - 10	38B-E3440-00	7 - 7	BK6-E6321-00	13 - 10	1WD-F1278-00	34 - 48	BK6-F2151-00	20 - 8	BK6-F4129-00-P4	23 - 29
BK6-E1603-00	2 - 14	2PK-E3447-00	7 - 9	BK6-E6324-00	13 - 12	3C1-F1338-00	6 - 22	2PK-F217A-00	20 - 11	BK6-F412Y-00	23 - 2
BK6-E1631-00	2 - 11	2FB-E3556-00	8 - 10	BK6-E6325-00	13 - 11	BK6-F135F-00	20 - 2	2PK-F217F-00	20 - 15	BK6-F4139-00-P0	23 - 37
2DP-E1633-00	2 - 12	BK6-E3557-00	8 - 11	BK6-E6331-00	13 - 9	BK6-F144G-00	31 - 31	BK6-F2184-00	20 - 4	BK6-F4139-00-P3	23 - 37

NUMERICAL INDEX

PART NO.	REF. NO.	PART NO.	REF. NO.	PART NO.	REF. NO.	PART NO.	REF. NO.	PART NO.	REF. NO.	PART NO.	REF. NO.
BK6-F4139-00-P4	23 - 37	B97-F5808-00	32 - 2	BK6-F6311-00	29 - 13	B2S-F8394-10	34 - 50	5BP-H2917-00	41 - 8	BK7-H4710-00	40 - 1
B74-F414B-00	23 - 46	BK6-F580E-00	32 - 1	BK6-F6312-00	29 - 14	B2S-F8394-20	34 - 50	B2S-H3310-00	37 - 1	1CK-H4726-00	40 - 7
	23 - 47	B48-F580U-01	26 - 3	BK6-F6312-00	29 - 15	BK6-F8395-00-P1	33 - 18	55D-H3311-00	37 - 2	BK6-H4740-00	40 - 4
BK6-F414E-00	23 - 36	B97-F580W-00	28 - 3	BK6-F6335-00	29 - 17	B2S-F8398-00	33 - 34		37 - 9	1WD-H4744-00	40 - 5
	23 - 44	5HH-F5824-00	28 - 10	3RS-F6372-00	29 - 18	B2S-F8398-10	33 - 35		37 - 17	2FC-H5111-00	18 - 31
BK6-F414G-00	23 - 28	5HH-F5825-51	28 - 14	BK7-F7211-00	31 - 26	B2S-F8398-20	33 - 35		37 - 24	55D-H5130-00	43 - 28
54P-F414G-10	23 - 20	50C-F582A-50	32 - 5	50C-F7222-00	32 - 4	B2S-F8399-10	33 - 36	1VP-H3318-00	37 - 15	BK6-H5546-00	43 - 2
5D9-F414G-10	23 - 13	BK6-F582U-00	26 - 1	45P-F7261-00	31 - 30	B2S-F8399-20	33 - 36		37 - 30	BK6-H5752-00	23 - 18
BK6-F4181-00	23 - 3	BK6-F582W-00	28 - 1	BK6-F7311-00	31 - 1	B2S-F839A-10	33 - 37	B2S-H331E-00	37 - 5	BK6-H591A-00	43 - 1
BK8-F4188-00	23 - 14	45P-F583T-01	30 - 2	BK6-F7404-00	31 - 19	B2S-F839A-20	33 - 37	B2S-H3320-00	37 - 8	2DP-H592A-10	43 - 8
BK6-F4191-00	23 - 8	3C1-F5852-00	30 - 5	BK6-F7410-00	31 - 9	B2S-F839E-10	33 - 38	55D-H3323-00	37 - 11	BK6-H6110-00	43 - 11
BK6-F41B1-00-P1	23 - 25	BK6-F5852-00	32 - 9	5BP-F7411-00	31 - 11	B2S-F839E-20	33 - 38		37 - 19	5P0-W0041-00	30 - 3
BK6-F41B1-00-P3	23 - 25	2VN-F5854-00	32 - 11	BK6-F741L-00	31 - 44	B2S-F839F-00	33 - 39	B2S-H332E-00	37 - 12	4C9-W0048-00	26 - 6
BK7-F4312-00	23 - 23	3RW-F5854-00	30 - 4	BK6-F742L-00	31 - 45	B2S-F839G-00	33 - 40	55D-H332M-00	37 - 4	BK6-XH250-01	42 - 8
BK6-F4491-00	23 - 19	3C1-F5855-00	30 - 8	45P-F7431-00	31 - 36	BK6-F8417-00	19 - 34		37 - 26	90101-08006	27 - 22
BK7-F4710-00	24 - 1	50C-F5855-00	32 - 10	1WD-F7437-00	31 - 40	BK6-F841F-00	19 - 37	B2S-H3330-00	37 - 16	90105-06169	23 - 6
BK6-F4728-00	24 - 3	50C-F5866-00	32 - 6	45P-F7441-00	31 - 37	BK6-F8483-00	34 - 21	55D-H3333-00	37 - 6		23 - 11
4LS-F4741-00	24 - 2	3RW-F5867-00	30 - 7	BK6-F7442-00	31 - 8	BK6-F8484-00	34 - 22		37 - 13	90105-08002	34 - 18
	24 - 10	BK6-F5872-00	30 - 1	BK6-F7443-00	31 - 20	BK6-H1410-02	35 - 2		37 - 21	90105-08180	31 - 46
55C-F4742-00	32 - 20	BK6-F5873-00	32 - 24	20P-F7451-00	31 - 10	2PV-H1450-00	35 - 1		37 - 28	90105-10006	17 - 11
BK7-F4750-00	24 - 9	BK6-F5876-00	30 - 19	20P-F7461-00	31 - 21	BK6-H1800-00	36 - 1	55D-H333A-00	37 - 10	90105-10225	21 - 6
BK6-F475H-00	24 - 7	BK6-F587A-00	20 - 24	B2S-F7473-00	31 - 42	2PH-H1801-10	36 - 2		37 - 18	90105-10886	17 - 7
BK6-F475J-00	24 - 13	BK6-F5886-00	30 - 17	BK6-F8100-00	17 - 12	5D9-H1828-00	36 - 5	B2S-H333E-00	37 - 20	90105-10887	20 - 14
BK6-F475X-00	24 - 11	BK6-F5887-00	30 - 21	BK6-F8283-00	19 - 32	1FD-H183G-00	36 - 3	B2S-H3340-00	37 - 23	90105-10888	31 - 3
BK6-F4796-00	24 - 6	50C-F5888-00	32 - 22	BK6-F8284-00	19 - 33	BK6-H1847-00	43 - 12	55D-H334A-00	37 - 3	90109-05014	23 - 34
21C-F510C-10	25 - 2	50C-F5894-11	32 - 8	28D-F834E-00	18 - 11	5D9-H1861-00	36 - 4		37 - 25		23 - 42
BK6-F5168-00-0X	25 - 1	BK6-F5895-00	32 - 13	BK6-F8351-00-P3	34 - 3	BK6-H1861-00	43 - 14	B2S-H334E-00	37 - 27	90109-06202	18 - 23
BK6-F5168-00-1X	25 - 1	50C-F589A-00	32 - 14	BK6-F8356-00	34 - 17	5TP-H1940-00	43 - 17	55D-H3358-00	37 - 7	90109-06220	19 - 31
BK6-F5168-00-P0	25 - 1	5HH-F5914-00	28 - 11	BK6-F835G-00	34 - 7	BK6-H1948-00	18 - 18		37 - 14	90109-06279	16 - 2
BK6-F5181-00	25 - 8	5HH-F5917-00	28 - 8	BK6-F835U-00-P0	33 - 1	BK6-H1950-00	43 - 19		37 - 22	90109-06577	30 - 10
1CK-F5186-00	25 - 7	5YP-F5917-00	26 - 8	BK6-F835U-00-P3	33 - 1	BK6-H1960-00	43 - 15		37 - 29	90109-068B2	19 - 17
B97-F530S-00	27 - 2	5P0-F5919-01	26 - 10	BK6-F835U-00-P4	33 - 1	14D-H2100-00	42 - 5	BK6-H3371-10	43 - 26		19 - 20
BK6-F5338-00-0X	27 - 1	5YP-F5924-00	26 - 11	BK6-F835V-00-P0	33 - 4	14D-H2100-10	42 - 5	BK6-H3500-00	38 - 1		23 - 27
BK6-F5338-00-1X	27 - 1	5YP-F5925-01	26 - 9	BK6-F835V-00-P3	33 - 4	BK6-H2115-00	42 - 7	BK6-H3519-00	38 - 5	90109-086F8	31 - 15
BK6-F5338-00-P0	27 - 1	5HH-F5937-00	28 - 7	BK6-F835V-00-P4	33 - 4	3C1-H2131-00	42 - 6	54P-H3591-00	43 - 6		31 - 22
B97-F5364-00	27 - 4	5YP-F5937-00	26 - 7	BK6-F836K-00	33 - 23	45P-H2133-00	41 - 3	B48-H3755-01	43 - 9	90110-05806	23 - 15
BK6-F5366-00	27 - 6	5YP-F5939-00	26 - 13	BK6-F836L-00	33 - 27	B65-H2151-10	42 - 14	2TP-H3912-00	41 - 6	90110-06215	23 - 12
B97-F5376-00	27 - 9	BK6-F6121-00	29 - 1	BK6-F836M-00	33 - 31	B65-H2151-80	42 - 15	3KA-H3913-00	41 - 7	90110-06378	1 - 23
B97-F5377-00	27 - 17	BK6-F6122-00	29 - 2	BK6-F837L-00	33 - 7	2UP-H2310-00	42 - 1	38B-H3922-00	30 - 9	90110-06846	8 - 15
5BP-F5381-00	27 - 16	1S7-F622F-00	29 - 11	BK6-F837M-00	33 - 10	BK6-H2370-00	42 - 4	3AY-H3936-00	18 - 26	90110-06873	12 - 7
B97-F5383-00	27 - 18	1S7-F622H-00	29 - 10	BK6-F837V-01	34 - 34	20P-H246B-02	43 - 23		30 - 20	90110-08803	31 - 18
1CK-F5388-00	27 - 21	BK7-F6240-00	29 - 6	BK6-F837W-01	34 - 45	BK6-H2530-00	42 - 11	3KA-H3945-00	41 - 9		31 - 35
BK6-F5414-00	27 - 13	20P-F6241-00	29 - 7	BK6-F8381-00	34 - 1	BK6-H2540-01	43 - 3	45P-H395W-00	41 - 4	90110-08839	23 - 7
BK6-F5448-00	27 - 10	BK7-F6246-00	29 - 8	BK6-F8385-00-P1	33 - 13	BK6-H2568-00	42 - 9	BK6-H3963-00	41 - 2	90110-10025	31 - 16
3C1-F5802-00	26 - 4	1S7-F6257-00	29 - 9	B2S-F8393-00	34 - 49	1PA-H2576-00	43 - 18	BK6-H3972-00	41 - 1	90111-05808	7 - 2
3C1-F5803-50	26 - 5	55C-F6259-00	32 - 21	B2S-F8393-10	34 - 49	BK6-H2590-00	42 - 12	45P-H3980-00	30 - 12	90111-06117	33 - 17
3C1-F5805-10	26 - 12	BK7-F6280-00	34 - 19	B2S-F8393-20	34 - 49	1CK-H2599-01	43 - 22	BK6-H4300-00	39 - 1		33 - 22
B97-F5806-00	28 - 4	BK7-F6290-00	34 - 20	B2S-F8394-00	34 - 50	3KA-H2911-00	41 - 5	BK6-H4547-00	40 - 6		34 - 32

NUMERICAL INDEX

PART NO.	REF. NO.	PART NO.	REF. NO.	PART NO.	REF. NO.	PART NO.	REF. NO.	PART NO.	REF. NO.	PART NO.	REF. NO.
90111-06117	34 - 43	90183-05807	33 - 5	90269-06816	34 - 44	90467-12800	8 - 23	91312-06020	8 - 3	93306-000Y3	5 - 7
90111-06137	18 - 4		33 - 14	90280-03017	2 - 10	90467-19803	6 - 5	91312-06025	35 - 3	93306-001YJ	4 - 5
90111-06177	42 - 10		33 - 19	90280-03017	2 - 26	90467-20804	8 - 25	91312-10040	22 - 39	93306-054XC	27 - 7
90111-06807	9 - 4		34 - 5	90338-09803	30 - 13	90467-20806	6 - 6	91317-06020	29 - 4	93306-054XF	14 - 8
90111-08089	26 - 2		34 - 11	90340-12813	1 - 3	90480-01558	18 - 21	91317-06030	29 - 12	93306-203XK	2 - 24
	28 - 2		34 - 27	90340-14824	11 - 5		19 - 3		34 - 23		2 - 25
90116-08846	27 - 11		34 - 38	90340-32823	11 - 7		19 - 10	91317-08020	29 - 3	93306-252YN	14 - 9
90119-05022	18 - 17		40 - 2	90387-06131	34 - 24		19 - 35	91317-08030	21 - 10	93306-252YP	25 - 4
90119-06051	8 - 26	90201-05036	38 - 2	90387-06205	18 - 2		19 - 38	91401-20012	32 - 18		27 - 3
90119-06054	43 - 24		39 - 4	90387-064V3	6 - 15		23 - 24	91401-25015	31 - 14	93306-253X2	14 - 25
90119-06810	17 - 5	90201-06078	18 - 30	90387-066J9	18 - 14	90480-01559	23 - 30		31 - 25	93306-272YC	14 - 26
90123-08046	41 - 14	90201-06880	6 - 14	90387-06899	23 - 32		31 - 38		31 - 43	93306-305X7	2 - 8
90149-05801	1 - 10	90201-08066	32 - 17		23 - 40		33 - 24	91701-08035	31 - 13	93306-305XV	2 - 9
90149-08220	9 - 8	90201-08612	9 - 7		33 - 16		33 - 28	91701-08042	31 - 41	93310-325YC	12 - 4
90149-10804	26 - 14	90201-08859	1 - 18		33 - 21	90480-01803	6 - 16	91810-14809	1 - 21	93310-526YT	2 - 3
90150-05023	34 - 6	90201-10021	31 - 28		34 - 29	90480-12805	18 - 3		1 - 22	93315-112Y8	13 - 28
90151-03005	41 - 10	90201-10118	30 - 16		34 - 40		23 - 31		10 - 2	93315-317Y1	20 - 12
90159-05011	23 - 33		32 - 26	90387-068B2	23 - 5		23 - 39		11 - 3	93317-218Y1	20 - 3
	23 - 41	90201-12019	13 - 3		23 - 10	90480-12808	33 - 15		11 - 14	93410-20038	14 - 4
90159-06817	18 - 7		35 - 6	90387-068C5	17 - 4		33 - 20	92012-06010	31 - 32	93410-22039	14 - 17
	19 - 5	90201-15814	27 - 20	90387-068S1	20 - 9		34 - 28	92012-06016	20 - 10		14 - 23
	19 - 12	90201-15821	2 - 17		20 - 20		34 - 39		20 - 19	93450-16115	2 - 13
90160-05012	39 - 2	90201-173F4	14 - 24		20 - 23	90480-13398	34 - 10		20 - 22	93501-04830	31 - 39
90160-05812	19 - 4	90201-173U5	31 - 17	90387-06M30	42 - 3	90480-13567	17 - 3	92012-08020	32 - 19	93505-16844	13 - 27
	19 - 11	90201-22793	14 - 22	90387-08842	31 - 33	90480-14004	38 - 4	92902-06200	16 - 12	93604-08800	2 - 20
	33 - 3	90201-25290	12 - 5	90387-10003	31 - 4	90480-14229	39 - 3	92902-10600	31 - 5	93608-30839	16 - 7
	33 - 6	90202-26142	21 - 7	90387-10814	20 - 13	90480-15363	6 - 12	93101-10843	11 - 19	93822-14800	14 - 28
	33 - 9	90208-20003	13 - 31	90387-15810	2 - 23		23 - 4	93102-08800	1 - 14	93900-00824	25 - 6
	33 - 12	90209-10020	21 - 12	90387-17804	14 - 14		23 - 9	93102-12862	13 - 29		27 - 15
90170-10012	2 - 28	90209-17285	14 - 3	90401-10812	30 - 15	90501-06022	15 - 3	93102-12891	16 - 8	94110-17823	25 - 5
90170-14801	13 - 23	90209-18208	14 - 16		32 - 25	90501-06800	15 - 8	93102-22827	14 - 27	94114-17802	27 - 14
90173-06806	18 - 22	90214-10800	2 - 18	90430-06014	1 - 5	90501-12743	31 - 38	93103-10801	5 - 2	94568-J9096	4 - 11
90179-04003	40 - 9	90215-10803	2 - 27		1 - 27	90501-16800	2 - 19	93106-17801	20 - 17	94668-K1021	27 - 25
90179-05849	34 - 2	90215-14802	13 - 22		5 - 9	90501-18576	7 - 5	93106-22808	25 - 3	94700-00439	1 - 19
90179-08148	41 - 13	90240-08005	32 - 16	90430-10804	43 - 7	90506-26807	31 - 27		27 - 5	95022-06010	1 - 4
90179-10805	17 - 8	90240-08145	31 - 24	90445-19807	31 - 29	90506-28800	31 - 2	93106-26815	27 - 8		1 - 26
	20 - 16	90252-18800	16 - 13	90445-21848	31 - 7	90508-183B9	31 - 12	93210-09806	4 - 4		14 - 30
90179-12808	13 - 4	90269-06816	18 - 8	90450-27806	6 - 19	90508-184B0	31 - 23	93210-108H5	41 - 15		24 - 8
90179-25615	21 - 6		18 - 16		6 - 21	90508-32837	16 - 5	93210-148F8	11 - 6	95022-06012	7 - 14
90183-05067	34 - 36		18 - 24	90450-43805	8 - 30	90520-02838	34 - 4	93210-15620	32 - 7		42 - 16
	34 - 47		19 - 7	90464-12036	34 - 30	90520-10840	34 - 8	93210-19809	5 - 14	95022-06014	4 - 10
90183-050A7	18 - 12		19 - 14		34 - 41	90520-10841	34 - 9	93210-198F9	11 - 18		18 - 28
90183-05807	18 - 6		33 - 8	90464-36800	43 - 21	91312-05010	23 - 16	93210-21801	43 - 4		19 - 36
	19 - 16		33 - 11	90464-50800	43 - 20		23 - 21	93210-26805	36 - 6		19 - 39
	19 - 19		33 - 26	90467-08003	19 - 30	91312-05016	4 - 2	93210-32816	11 - 8	95022-06016	11 - 11
	19 - 24		33 - 30	90467-11825	8 - 29	91312-06014	43 - 10	93210-34802	7 - 6	95022-06020	6 - 3
	23 - 26		33 - 33	90467-12052	8 - 28	91312-06016	35 - 4	93210-39803	5 - 11		7 - 10
	33 - 2		34 - 33	90467-12085	32 - 12	91312-06020	5 - 8	93210-54805	7 - 12	95022-06025	4 - 19

NUMERICAL INDEX

PART NO.	REF. NO.	PART NO.	REF. NO.	PART NO.	REF. NO.	PART NO.	REF. NO.	PART NO.	REF. NO.	PART NO.	REF. NO.
95022-06025	5 - 13	97702-50016	34 - 12								
95022-06030	1 - 11		34 - 31								
95022-06040	10 - 6		34 - 35								
	11 - 4		34 - 42								
	11 - 15		34 - 46								
95022-06045	10 - 4		39 - 5								
95022-06050	11 - 16		40 - 3								
95022-06055	10 - 3	97707-50012	19 - 22								
95022-06070	10 - 5	97707-50016	33 - 25								
95022-06080	7 - 11		33 - 29								
95022-06090	11 - 20		33 - 32								
95022-08012	24 - 14	97707-50025	8 - 21								
95027-06010	30 - 18	98502-05016	43 - 5								
95027-06025	30 - 14	98507-05012	29 - 16								
95302-08700	27 - 23	98507-06025	32 - 23								
	32 - 3	98512-06012	14 - 11								
95602-06100	30 - 11	98907-04020	40 - 8								
	41 - 11	99001-10600	16 - 6								
95602-06200	18 - 19	99009-10400	5 - 6								
95602-08200	24 - 12	99009-20500	13 - 30								
	27 - 12	99231-00180	33 - 41								
95602-12200	20 - 7		33 - 42								
95602-14200	25 - 9	99237-00180	33 - 41								
	27 - 19		33 - 42								
95607-06100	18 - 29	99530-08012	1 - 12								
95607-06200	24 - 4		5 - 10								
95612-08618	1 - 6	9X568-K1127	27 - 24								
95612-10100	31 - 6										
95702-08500	9 - 6										
95702-12500	35 - 5										
95707-05500	18 - 32										
95812-06030	8 - 12										
95D02-06010	38 - 6										
95D02-06025	43 - 16										
95D32-06012	43 - 27										
95D32-06016	43 - 13										
95D32-06025	6 - 13										
97012-06020	16 - 15										
97080-06020	42 - 2										
97507-06525	41 - 12										
97702-50012	19 - 6										
	19 - 13										
	19 - 25										
	34 - 14										
	34 - 16										
97702-50014	38 - 3										
97702-50016	23 - 35										
	23 - 43										